

Microphone Amplifier 373-100

Contents:	Draw. No.:
Technical Specifications	373-1011-A-4
Diagram	373-1030-A-3
Component lay-out	373-1041-A-4
Component lay-out Switches	373-1043-A-4
Parts List	373-1051-A-4
Diagram Ripple Filter	294-5030-A-4
Component lay-out " "	294-5041-A-4
Parts List " "	294-5051-A-4
Diagram overload Circuit	294-6030-A-4
Component lay-out " "	294-6041-A-4
Parts List " "	294-6051-A-4

Terminal Connections	pin	:	Description
	1	:	Micr. Input (bal) 0°
	23	:	Micr. Input (bal.)
	2	:	+48V Phantom supply
	22	:	Micr. cable screen, 0V Phantom Supply
	4	:	Wired-or Overload Indicator
	8	:	3dB Gain reduction when shorted to 17
	17	:	Output (unbalanced) 0°
	16	:	Output Ground
	10	:	+Vb, +15V dc
	11	:	-Vb, -15V dc
	12	:	0V, common
	13	:	Chassis

Supply Voltage	:	$\pm 15V$ dc	$\pm 10\%$	note 1.
Maximum Ripple Voltage	:	0,1V	pp	
Current Consumption, 18dBu Out	:	approx. 70 mA	$R_L = 150$ ohms	
Temperature Range	:	$0^{\circ}C$ to $+60^{\circ}C$		
Frequency Response, Bascut 0dB $R_g = 200$ ohm	:	$\pm 0,5dB$	40Hz to 15kHz	note 3
Bascut at 80Hz or 140Hz	:	-3dB	$\pm 0,5dB$	
Input Impedance, Balanced Floating	:	1kohm	Z input	10kohm
Nominal Source Impedance	:	200 ohms		
Maximum Input Level 40Hz - 15kHz	:	+5dBu	(1,36V rms)	
Common Mode Rejection 15kHz	:	60dB		
Gain Adjustment, Coarse	:	20-30-40-50-60 dB	$\pm 1dB$	
Gain Adjustment, Fine	:	$\pm 10dB$	$\pm 1dB$	
Distortion, input 0dBu 40Hz-15kHz	:	within 10 to 70dB gain		0,2%
Noise	:	see curve one	page 2.	
Output Impedance, unsymmetrical	:	0,5 ohms	dc coupled	
Minimum Load Impedance	:	150 ohms	18dBu or 300 ohms	21dBu
Output Overload Level	:	+21dBu	(8,6V rms)	
Overload Indication	:	+18 dBu	$\pm 1dB$	note 2.
Connector 23 pole	:	Tuchel T2700		
Mechanical Outlines, N-cassette, B1	:	front 40x95mm,	depth 103 mm	
Weight	:	approx. 0,5 kg.		

Note 1: A shutdown circuit will automatically disconnect both +Vb and -Vb if anyone of them is missing.

Note 2: Overload is indicated on the LED when the signal reaches a level which is 3dB below the overload level in either input or output amplifier. A wired-or output is provided, which can be used with a common Overload Indicator.

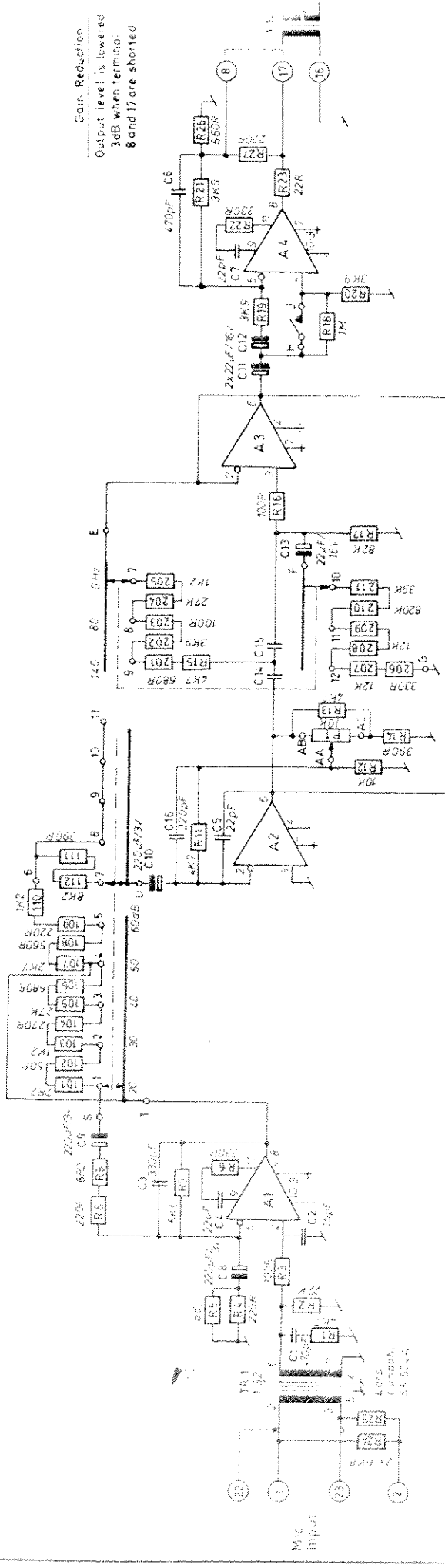
Note 3: Steady roll-off from 15kHz and upwards, and more than 10dB down at 10Hz.

Gain Coarse

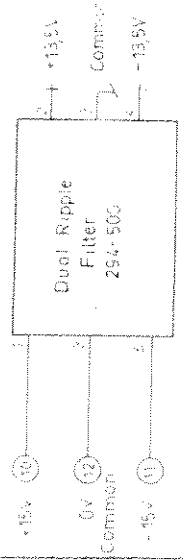
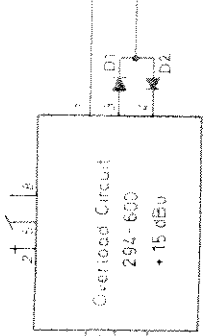
Gain Fine

Bass-cut

Phase reversal



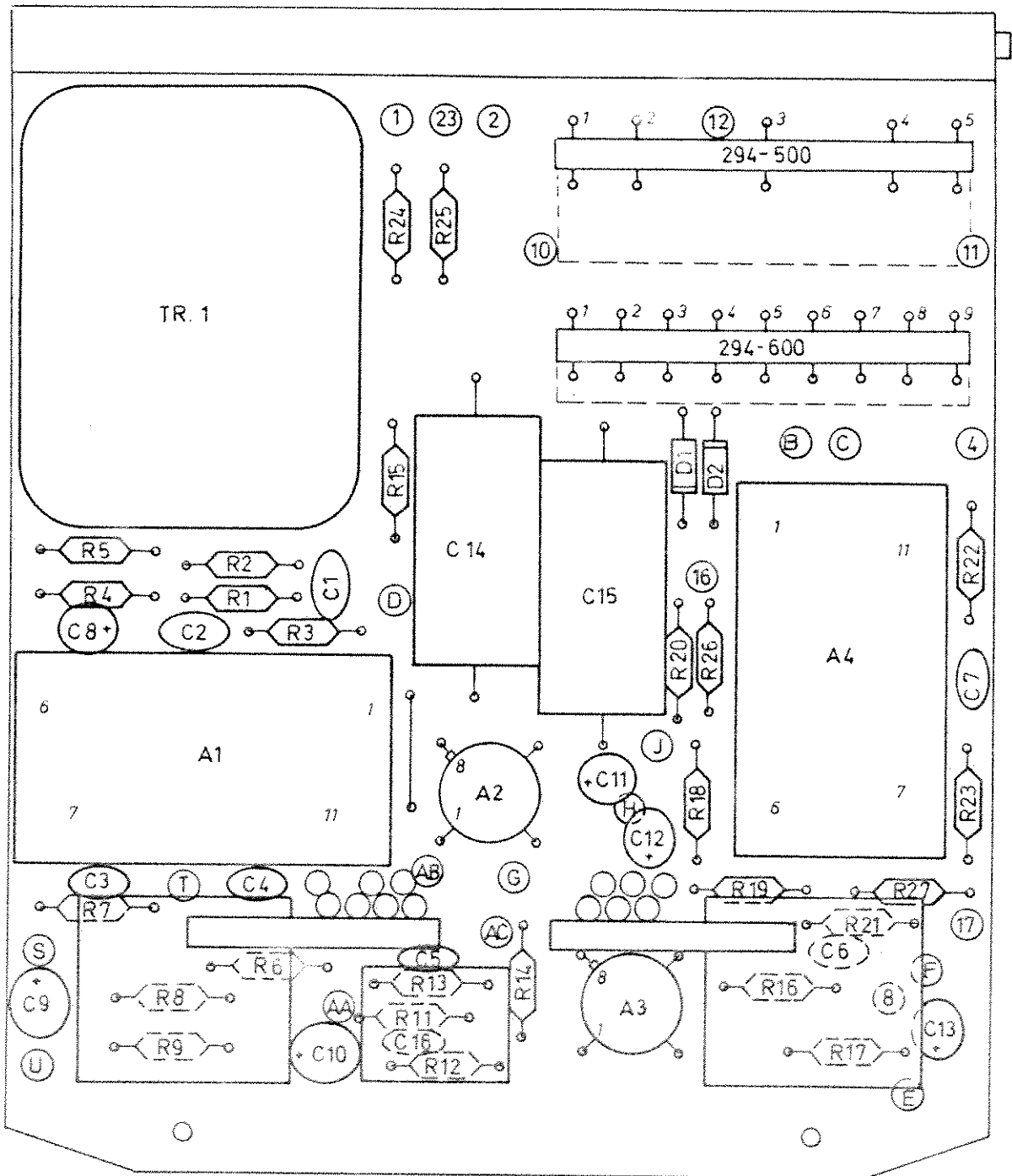
Gain Reduction
Output level is lowered
3dB when terminals
8 and 17 are shorted



All connection points marked with number indicates the Tucker-Plug number, and points marked with a letter shows that it is an interconnection between printcards or switches.

Part	Axis	Mount	Brand
Model	mm		
Power	4.3.75 W		
Weight			
Dimensions			
Microphone Amplifier 373-100 Diagram			
			373-1030-A-3






Gain Coarse

Gain Fine

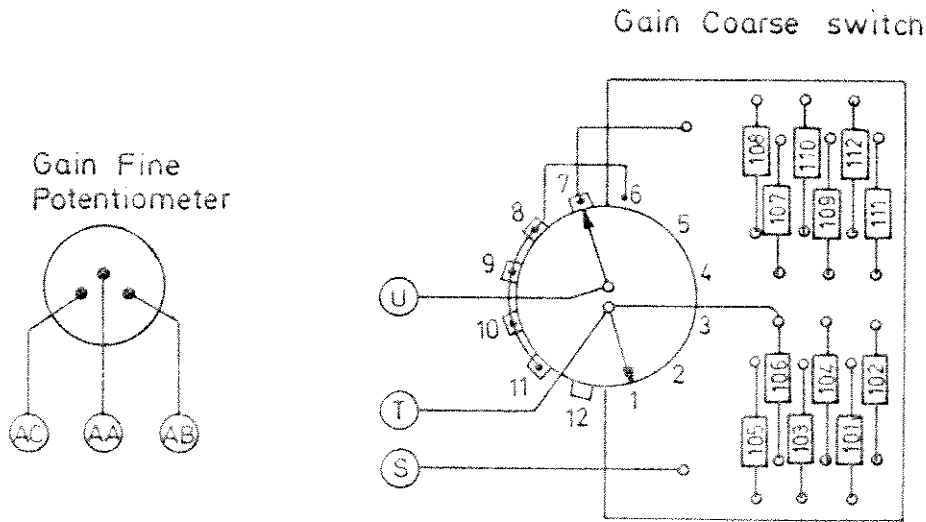
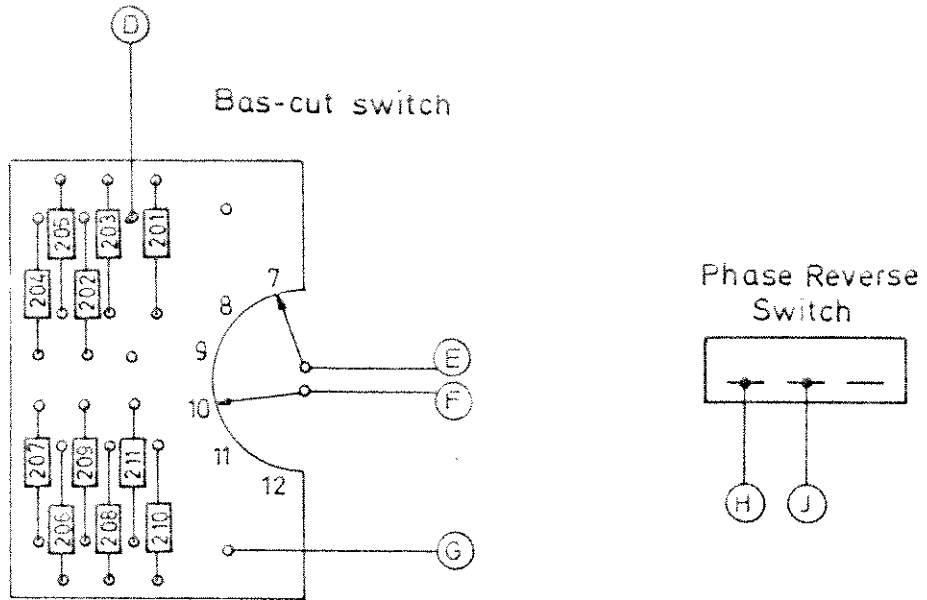
Phase Rev.

Bas-cut


NB: Dette print monteres i venstre side af kassetten.

Pos.	Antal	Materiale	Behandl.	Def af
Målestok				
Tolerance	mm	Microphone Amplifier 373-100		
Tegnet	26.2.75 IW	Component Lay-out		
Udskendt				
Revideret	I			
				373-1041-A-4

Release 94756M/W



Pos	Antal	Mærkning	betegnelse	antal
Mærkning			Microphone Amplifier 373-100	
Antal	1		Switches	
Figur	24 175 IW		Component Lay-out	
Udkendt				
Revisionsnr				



NTP
N. TORRNES PEDERSEN A/S

373-1043-A-4

POS / DESIGN REF	ANT / QTY	BETEGNELSE/DESCRIPTION				LEV FABRIKAT	SUPPL MANUFACT.
R1		Resistor	4k7	5%	1/8w	Resista	SK2
2		"	22K	"	"	"	"
3		"	100R	"	"	"	"
4		"	220R	"	"	"	"
5		"	adjusted			"	"
6		"	330R	"	"	"	"
7		"	5k6	"	"	"	"
8		"	220R	"	"	"	"
9		"	8,2R	"	"	"	"
10		"	not used			"	"
11		"	4k7	"	"	"	"
12		"	10k	"	"	"	"
13		"	4k7	"	"	"	"
14		"	390R	"	"	"	"
15		"	4k7	"	"	"	"
16		"	100R	"	"	"	"
17		"	82k	"	"	"	"
18		"	1M	"	"	"	"
19		"	3k9	"	"	"	"
20		"	3k9	"	"	"	"
21		"	3k9	"	"	"	"
22		"	350R	"	"	"	"
23		"	22R	"	"	"	"
24		"	6k8	0,5%	"	Resista	Mk2
25		"	6k8	0,5%	"	"	"
C1		Capacitor Ceramic			470pf	Miniwatt	
2		"	"	"	15pf	"	
3		"	"	"	550pf	"	
4		"	"	"	22pf	"	
5		"	"	"	22pf	"	
6		"	"	"	470pF	"	
7		"	"	"	22pf	"	
8		"	Tantal		220µF 5V	ERO	
9		"	"		220µF 5V	"	
10		"	"		220µF 5V	"	
11		"	"		22µF 16V	"	
12		"	"		22µF 16V	"	
13		"	"		22µF 16V	"	
14		"	Polyester		0,15µF 65V 2%	EROMAK	
15		"	"		0,15µF 65V 2%	"	
16		"	Ceramic		220pf	Miniwatt	
D1		Diode	1N4148			Miniwatt	
D2		"	1N4148			"	
A1		Op. Amp.	N-100			NTP	
A2		"	2605-5			RAMIS	
A3		"	2605-5			"	
A4		"	N-100			NTP	

ISSUED
DATE/SIGN




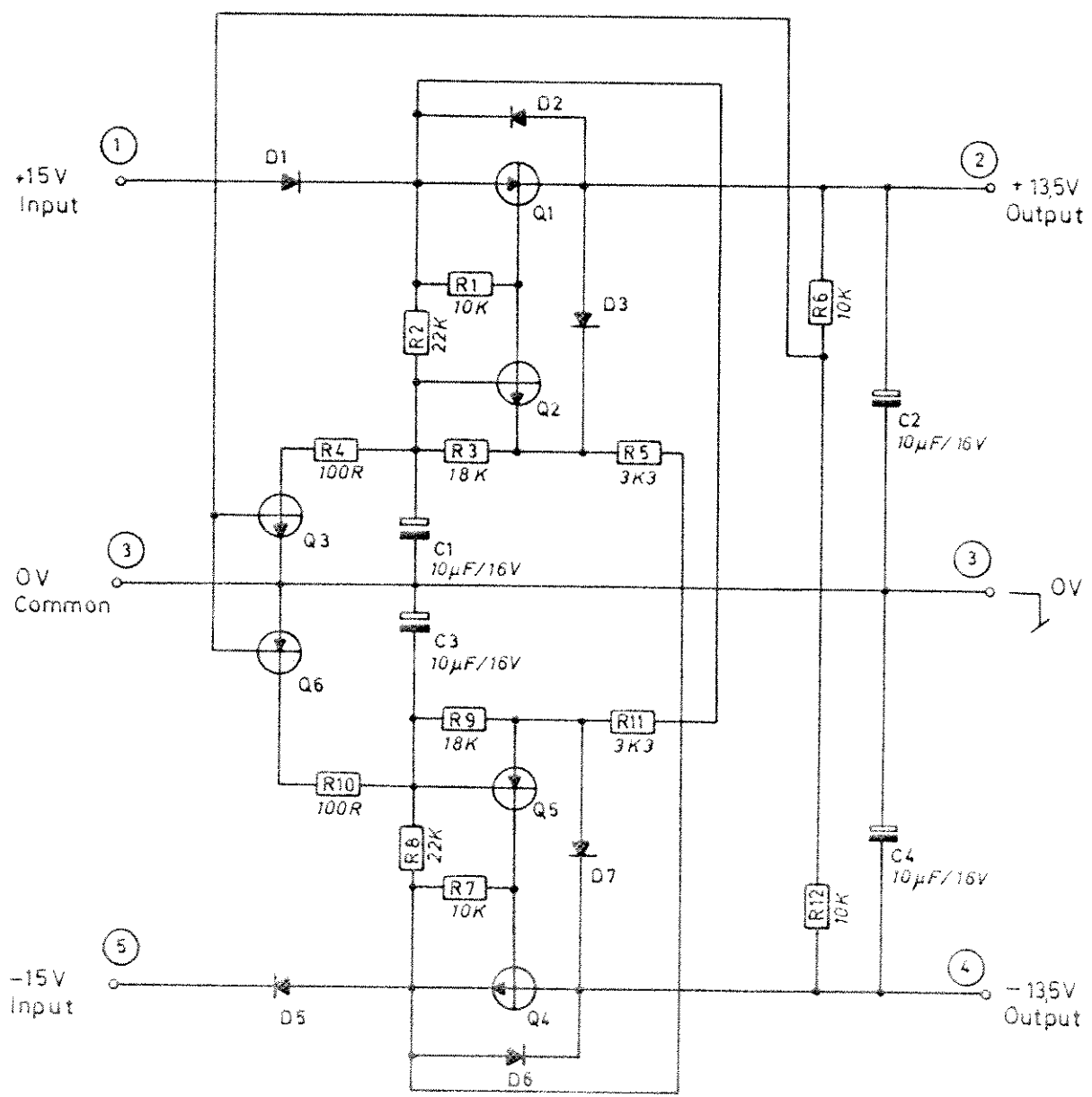
Microphone Amplifier 375-100
Parts list

STYKLISTE-PARTS LIST
Pag 2 (1)
No. 375-1051-A4

POS	DESIGN REF	ANI / QTY	REFERENCE DESCRIPTION	LEV	FABRIKAT / SUPPL	MANUFACT
	Tr1		Microphone transformer SR504a			Lars Lundahl
			294-500 Dual Ripple Filter			NTP
			294-600 Overload Circuit			"
	LED		Light emitting Diode TIL 209 A incl. clip			Texas
	Sw 1		Gain Rotary switch Mx1 2x5k.1=12 Coarse			EBE
	R101		Resistor 2,2R (3R) 5% 1/8w			Resista SK2
	102		" 56R " " "			"
	103		" 1k2 " " "			"
	104		" 270R " " "			"
	105		" 27k " " "			"
	106		" 680R " " "			"
	107		" 2K7 " " "			"
	108		" 560R " " "			"
	109		" 220R " " "			"
	110		" 1k2 " " "			"
	111		" 590R " " "			"
	112		" 8k2 " " "			"
	Sw 2		Bas-cut Rotary switch Mx1 4x5 k.1=12			EBE
	R201		Resistor 680R 5% 1/8w			Resista SK2
	202		" 5k9 " " "			"
	203		" 100R " " "			"
	204		" 27k " " "			"
	205		" 1k2 " " "			"
	206		" 550R " " "			"
	207		" 12k " " "			"
	208		" 12k " " "			"
	209		" 0R (strap) " " "			"
	210		" 820k " " "			"
	211		" 59k " " "			"
	P1		Gain Fine Potentiometer 10k. 1in. type 620			Ruwido
	Sw 5		Phase-rev Slide switch 50M. prof.			Jean Renaud, 111
			Print board 575-1050			NTP
			Print board 182-500			NTP

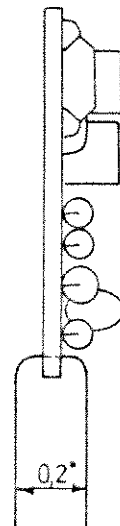
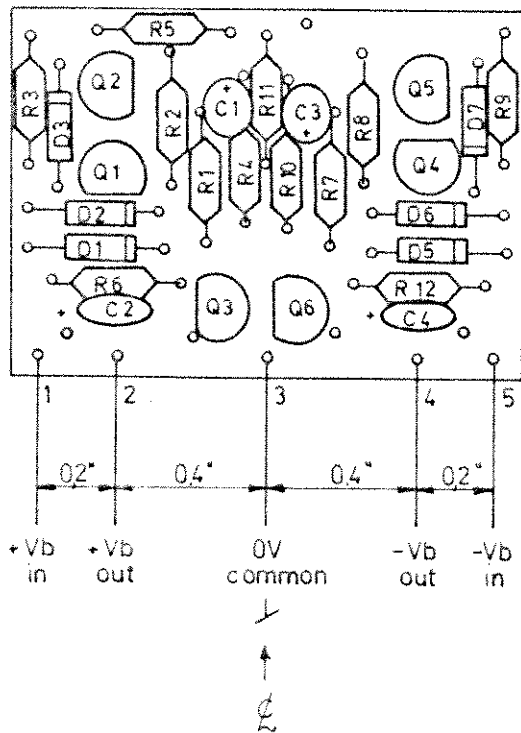
ISSUED DATE SIGN

 <p>NTP ELEKTRONIK A/S</p>	Microphone Amplifier 575-100	STYKLISTE-PARTS LIST
	Parts list	Page 2 of 2
		No. 575-1051-A4



Retielse:
1) 7475 BM/IN
2) 77/175 Hz / IN

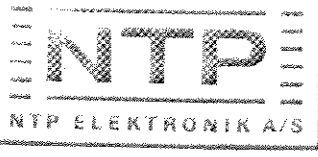
Pos	Antal	Materiale	Behold	Udført af
Målestok		DUAL RIPPLE FILTER 294 - 500 (tracking)		
Yrkesopgave	mm	Diagram		
Tegnet	20-12-74 G D			294 - 5030-A-4
Godkendt				
Revideret	2			



Pos	Antal	Materiale	Behandl	Det al
Målestok				
Toleranse	mm	Dual Ripple Filter (tracking) 294-500		
Tegnret	22.1.75 IW			
Godkendt		Component Lay-out		
Revideret	L			294-5041-A-4

ISSUED: 11-10-80 DATE/SIGN

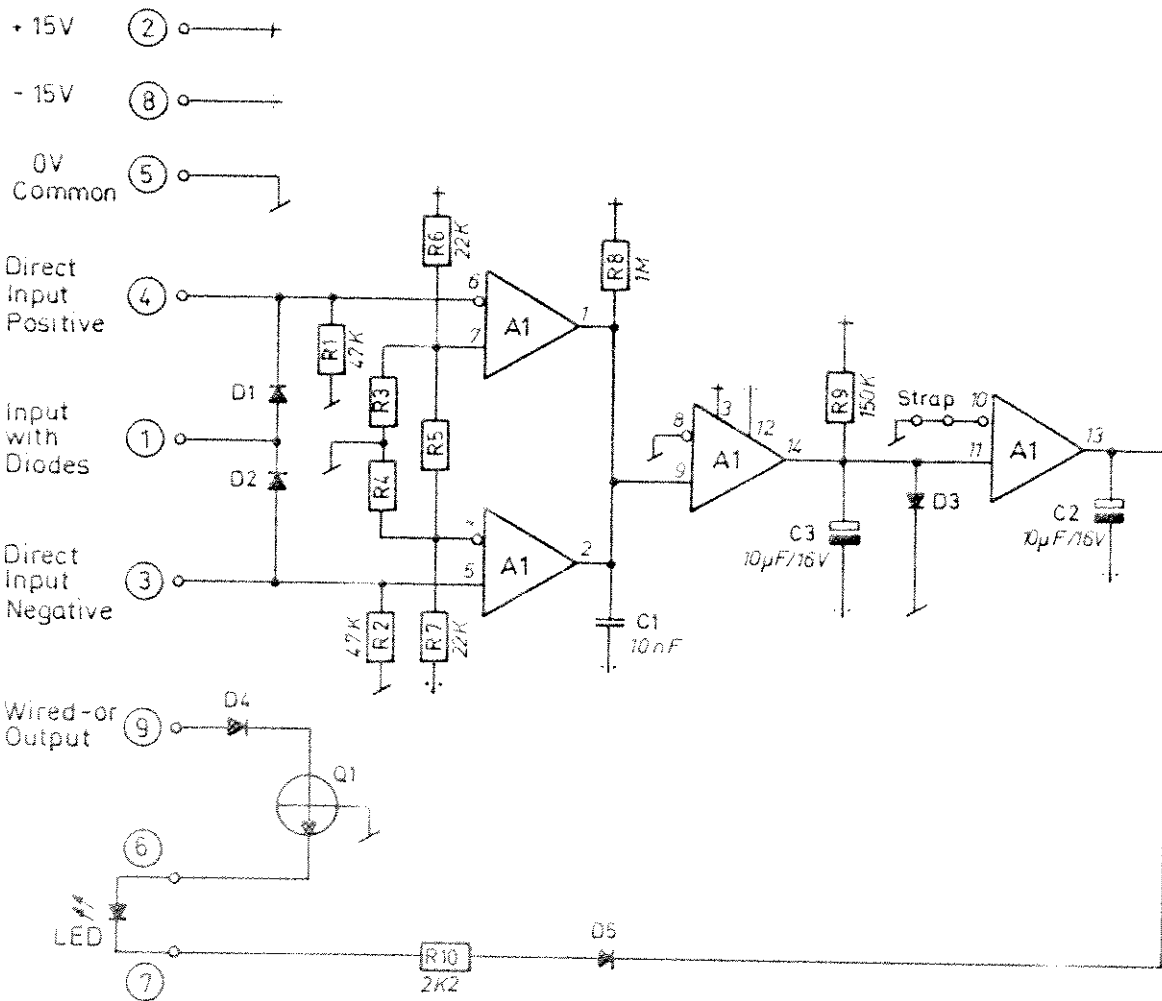
POS / DESIGN REF.	ANT / QTY	BETEGNELSE / DESCRIPTION	LEV. FABRIKAT	OPPL. MANUFACT
1		Transistor	100K	100K
2		"	100K	"
3		"	100K	"
4		"	100K	"
5		"	100K	"
6		"	100K	"
7		"	100K	"
8		"	100K	"
9		"	100K	"
10		"	100K	"
11		"	100K	"
12		"	100K	"
13		"	100K	"
14		"	100K	"
15		"	100K	"
16		"	100K	"
17		"	100K	"
18		"	100K	"
19		"	100K	"
20		"	100K	"
21		"	100K	"
22		"	100K	"
23		"	100K	"
24		"	100K	"
25		"	100K	"
26		"	100K	"
27		"	100K	"
28		"	100K	"
29		"	100K	"
30		"	100K	"
31		"	100K	"
32		"	100K	"
33		"	100K	"
34		"	100K	"
35		"	100K	"
36		"	100K	"
37		"	100K	"
38		"	100K	"
39		"	100K	"
40		"	100K	"
41		"	100K	"
42		"	100K	"
43		"	100K	"
44		"	100K	"
45		"	100K	"
46		"	100K	"
47		"	100K	"
48		"	100K	"
49		"	100K	"
50		"	100K	"
51		"	100K	"
52		"	100K	"
53		"	100K	"
54		"	100K	"
55		"	100K	"
56		"	100K	"
57		"	100K	"
58		"	100K	"
59		"	100K	"
60		"	100K	"
61		"	100K	"
62		"	100K	"
63		"	100K	"
64		"	100K	"
65		"	100K	"
66		"	100K	"
67		"	100K	"
68		"	100K	"
69		"	100K	"
70		"	100K	"
71		"	100K	"
72		"	100K	"
73		"	100K	"
74		"	100K	"
75		"	100K	"
76		"	100K	"
77		"	100K	"
78		"	100K	"
79		"	100K	"
80		"	100K	"
81		"	100K	"
82		"	100K	"
83		"	100K	"
84		"	100K	"
85		"	100K	"
86		"	100K	"
87		"	100K	"
88		"	100K	"
89		"	100K	"
90		"	100K	"
91		"	100K	"
92		"	100K	"
93		"	100K	"
94		"	100K	"
95		"	100K	"
96		"	100K	"
97		"	100K	"
98		"	100K	"
99		"	100K	"
100		"	100K	"



STYKLISTE-PARTS LIST
 Page ()
 No ()


STYKLISTE-PARTS LIST
 Page ()
 No ()

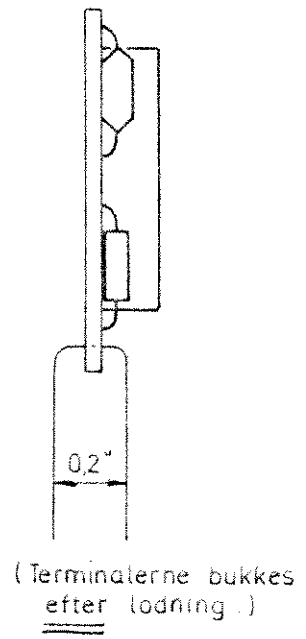
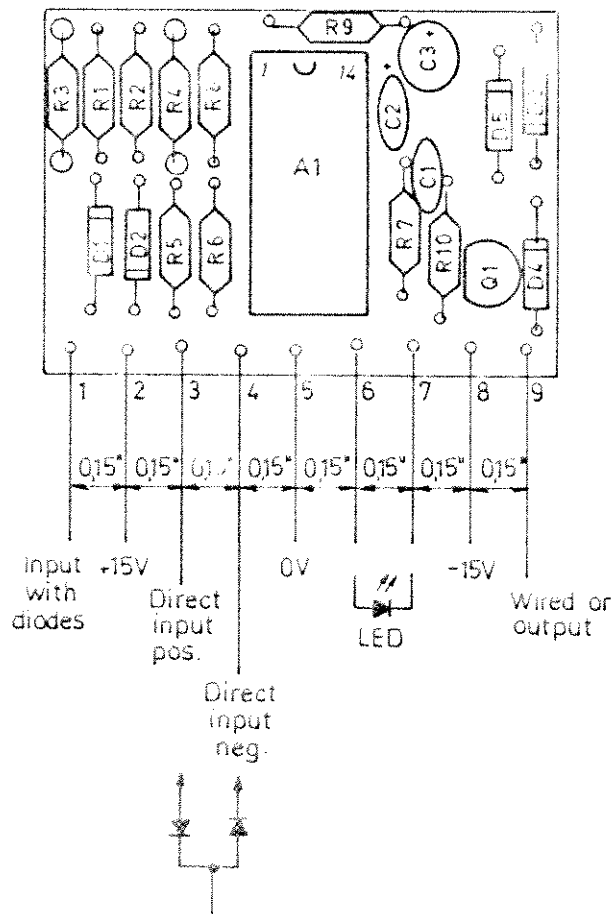
Overload input levels:			+6	+9	+15	+18	dB
+Vb Supply Voltage +24V (+22.5V)	R3	5k Ω	8k Ω	22k	68k		
	R4	5k Ω	8k Ω	22k	68k		
	R5	27k	47k	820k	820k		
+Vb Supply Voltage $\pm 15V \sim +30V (+27V)$	R3	5k Ω	12k	22k	47k		
	R4	5k Ω	12k	22k	47k		
	R5	15k	27k	100k	220k		




For wired-or output only, terminals 6 and 7 must be interconnected.

Reviser: 7-1-76-71 (25 pin/1)

Pos	Anfaat	Materiale	Beranda	Def. at
Materiale				
Terdapat	mil	Overload Circuit	294-600	 N. TONNES PEDERSEN A/S
Jegnet	23.175 iW	Diagram		
Gulkeendt				294-6030-A-4
Reviser et .				



Arbejde 7-6-72

Part	Antal	Materiale	Bestilling	Del nr
Maleri	2-1			
Indgang		Overload Circuit	294-600	 N. THOMAS PEDERSEN A/S
Regnet	22,175 IW	Component Lay-out		
Udskrift				294-6041-A-4
Revideret				

COBBE 11111111 15 01 24 00 73 111

ISSUED DATE SIGN

POS. DESIGN REF.	QTY /	BEZUGSNLZ. / DESCRIPTION	LEV. FABRIKAT / SUPPL. MANUFACT
		Resistor 10k 1/4W 5%	WIMA
		" 4k 1/4W 5%	"
		" adjusted	
		" adjusted	
		" adjusted	
		" 10k 1/4W 5%	"
		" 10k 1/4W 5%	"
		" 10k 1/4W 5%	"
		" 10k 1/4W 5%	"
		" 2k2 1/4W 5%	"
		Variable cap. 500pF	ROHM
		Tantal " 22uF 16V	PR0
		Capacitor " 100nF 50V	"
		Diode 1N4148	MINIWA
		" 1N4148	"
		" 1N4148	"
		" 1N4148	"
		Transistor BC107	ROHM
		IC 741 opamp	NATIONAL
		IC 741 opamp	"
		Diode 1N4148	MINIWA

 <p>NTP ELEKTRONIK A/S</p>	11111111 15 01 24 00 73 111	DESIGNER: []
	DATE: []	CHECKED: []
	APPROVED: []	[]