

Microphone/Loudspeaker Amplifier
530-950A/B/C/D

Contents:

Draw.no.:

Description	530-9512-D-4
Technical Specifications	530-9511-D-4
Diagram	530-9530-D-2
Component Layout	530-9541-D-3
Partslist, basic, noncomplete unit	530-9531-A-4
Partslist, additional components, A-version	530-9533-A-4
Partslist, additional components, B-version	530-9533-B-4
Partslist, additional components, C-version	530-9533-C-4
Partslist, additional components, D-version	530-9533-D-4
Terminal connections	530-9502-D-4

The Loudspeaker/Microphone Amplifier 530-950 is a single board combined unit which can be controlled either from controls on the card or from a remote position.

The card is available in more or less complete versions:

530-950A: Loudspeaker amplifier with only one balanced input.

530-950B: Microphone amplifier only.

530-950C: Combined microphone/loudspeaker amplifier with only one balanced input.

530-950D: Combined microphone/loudspeaker amplifier with two balanced inputs.

The card is power supplied by +24V to 30V DC and +5V DC (the control part).

Some of the control inputs are optocoupled, others are by 513 bus (RS422 channel).

The Microphone Amplifier Part

The microphone amplifier part includes a phantom power supply for the connected microphone.

The microphone amplifier is controlled either locally or from a remote position. This selection is carried out by use of an optocoupled control signal.

Locally the gain is adjusted from a potentiometer located on the front of the card (P6).

Remote control of the gain is carried out by an external DC voltage.

A limiter LED located on the frontedge of the card will be illuminated when the microphone amplification is limited. This information is as well available on terminals of the card's connector.

The Loudspeaker Amplifier Part

The loudspeaker amplifier part includes circuitries allowing the signal to be gain controlled, muted and damped.

The gain can be either locally controlled (by P1 on the front-edge of the card) or remote controlled by an external DC voltage.

The selection between the two control methodes is carried out by an optocoupled control signal or by an RS422 signal.

Each of the two possible balanced inputs can individually be muted by use of an RS422 signal or muted as a sum-signal by use of an optocoupled control signal.

The sum-signal can be damped by use of an optocoupled control signal or an RS422 signal. Presetting of the damping can be carried out from a potentiometer (P4) on the front of the card.

The loudspeaker amplifier circuit is as standard equipped with a frequency filter (speech filter) allowing only signals between 200Hz and 4kHz to be routed through the circuit.

The card address is selected by use of a switch (SW1).

General (C- and D-version)

Supply voltage (analog) : 22 - 32V DC
Supply current (analog) : max. 900mA
Supply voltage (digital) : 5V DC +/-10%
Supply current (digital) : max. 5mA

Loudspeaker Amplifier

Input

Nominal level : +6dBu
Max. input level : +21dBu
Impedance : 20k +/-10%
CMRR at 15kHz : >50dB

Control

Gain pot damping
(slope pot at mid position) : 0 - 50dB
Slope pot (max. damping) : 30 - 70dB
Mute pot (damping) : 15 - 30dB
Gain input impedance : 100k
Gain input characteristic
(slope pot at mid position) : -10dB/V
DC output for gain pot : +5 DC +/-10%
DC output max. load : 10k
Opto-coupled control input impedance : 3.3k

Output

Frequency response (-1dB) : 200Hz - 4kHz
Max. output power
(supply = 24V, Rl = 4 Ohm) : 10W
Sensitivity, rated power : +6dBu
Noise 23kHz bw, max. gain : -67dBu
Distortion 10W/4 Ohm : <0.5%

Microphone Amplifier.

Input

Impedance, balanced floating : >2kOhm
Nominal source impedance : 200 Ohm
CMRR at 15kHz :
Max. input level :
Gain nominal : 64dB
Cross-talk loudspeaker output
to microphone input (10W out) : -100dB

Control

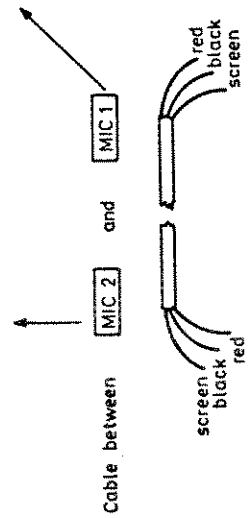
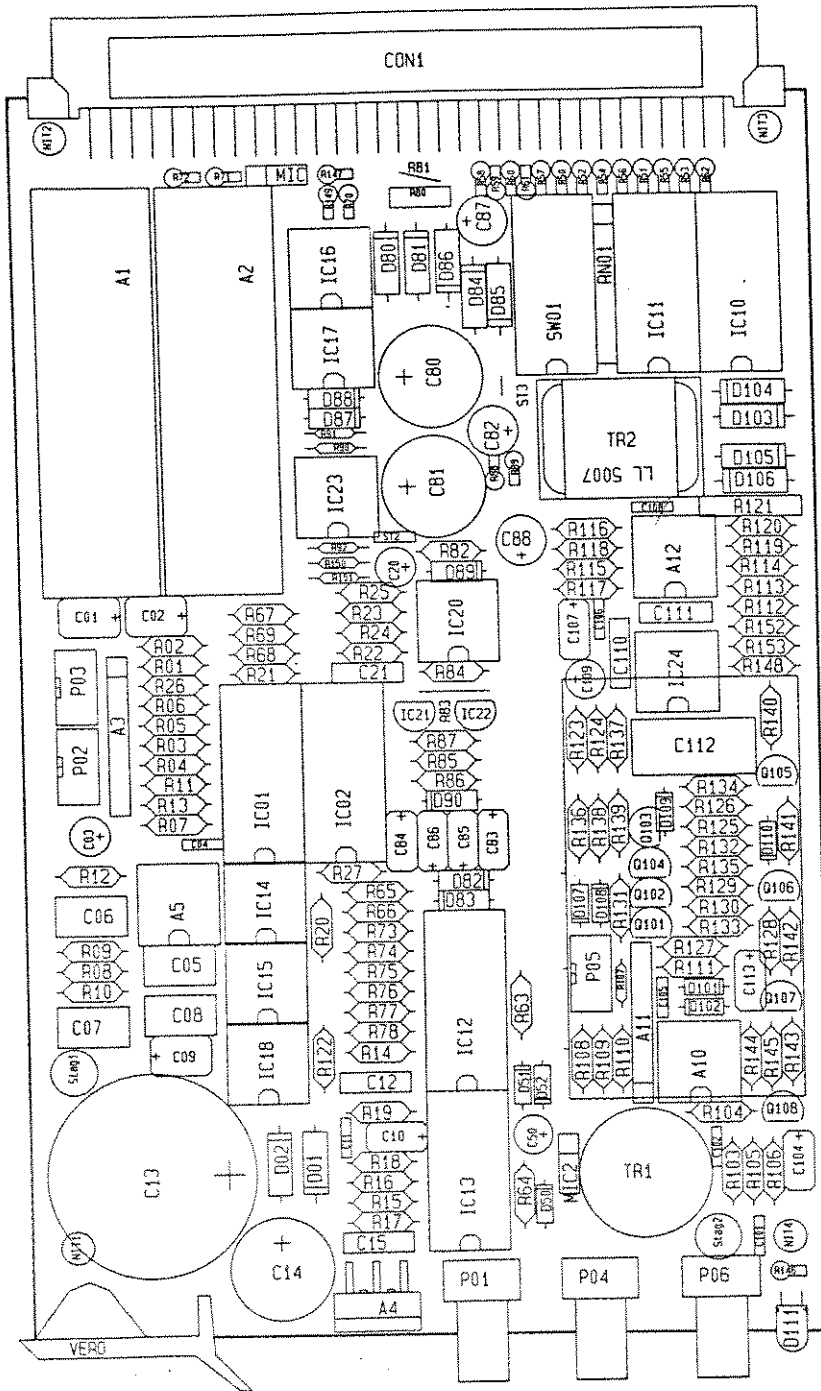
Gain pot : +/-15dB
Gain input impedance : 100k
Gain input characteristic : 6dB/V
DC output for gain pot : +5V DC +/-10%
DC output max. load : 10k
Opto-coupled control input impedance : 3.3k

Output

Impedance : <150Ohm
Frequency response (-1dB) :
Max. output level (limited) : +6dB
Distortion at +5dBu out : <0.2%
Distortion at 20dB limiting : <0.3%
Noise ref. to input 23kHz bw
(gain pot at 0dB) : -124dBu RMS
Limiter range : >20dB
Attack time (peaks shorter than
1.5 msec are clipped at a level
of max. 3dB above lim level) : 1.5 msec
Recovery time, dual time constant : 100 msec upon 20 sec.

Mechanical Outline.

Eurocard : 160 x 100 mm
Height : 6T = 30.5 mm
Connector : DIN41612, 64-pole,
male



Cable between MIC 2 and MIC 1

Pos.:	Anteil:	Material:	Behandl.:	Del. nr.:
Målestok :	Tolerance : ±	Tegn nr. :	Konstruktør :	Revideret :
mm	7.10.87 JL.	C.N.		
Microphone/Loudspeaker Amplifier				
Component Layout.				
530-9500				
NTP				
NTP ELEKTRONIK A/S				
530-9541-D-3				

REF. NO	NTP-ID.	DESCRIPTION	QTY	MANUFACT/DRW.NO.	PART NO.
R 50	RCA-5100	RESISTOR CARBON 10K 0.66W 5%	1	SBB 0207	SBB 0207 10K
R 51	RCA-5100	RESISTOR CARBON 10K 0.66W 5%	1	SBB 0207	SBB 0207 10K
R 52	RCA-5100	RESISTOR CARBON 10K 0.66W 5%	1	SBB 0207	SBB 0207 10K
R 53	RCA-5100	RESISTOR CARBON 10K 0.66W 5%	1	SBB 0207	SBB 0207 10K
R 54	RCA-5100	RESISTOR CARBON 10K 0.66W 5%	1	SBB 0207	SBB 0207 10K
R 55	RCA-5100	RESISTOR CARBON 10K 0.66W 5%	1	SBB 0207	SBB 0207 10K
R 56	RCA-5100	RESISTOR CARBON 10K 0.66W 5%	1	SBB 0207	SBB 0207 10K
R 57	RCA-5100	RESISTOR CARBON 10K 0.66W 5%	1	SBB 0207	SBB 0207 10K
R 58	RCA-5100	RESISTOR CARBON 10K 0.66W 5%	1	SBB 0207	SBB 0207 10K
R 59	RCA-5100	RESISTOR CARBON 10K 0.66W 5%	1	SBB 0207	SBB 0207 10K
R 60	RCA-5100	RESISTOR CARBON 10K 0.66W 5%	1	SBB 0207	SBB 0207 10K
R 61	RCA-5100	RESISTOR CARBON 10K 0.66W 5%	1	SBB 0207	SBB 0207 10K
R 62	RCA-5100	RESISTOR CARBON 10K 0.66W 5%	1	SBB 0207	SBB 0207 10K
R 63	RCA-5100	RESISTOR CARBON 10K 0.66W 5%	1	SBB 0207	SBB 0207 10K
R 64	RCA-4470	RESISTOR CARBON 4K7 0.66W 5%	1	SBB 0207	SBB 0207 4K7
R 65	RCA-6100	RESISTOR CARBON 100K 0.66W 5	1	SBB 0207	SBB 0207 100K
R 66	RCA-3100	RESISTOR CARBON 100R 0.66W 5	1	SBB 0207	SBB 0207 100R
R 67	RWA-0000	STRAP 0.0 OHMS	1	RWA-0000	RWA-0000
R 68	RCA-4100	RESISTOR CARBON 1K 0.66W 5%	1	SBB 0207	SBB 0207 1K
R 69	RCB-4100	RESISTOR CARBON 1K 0.33W 5%	1	SBA 0204	SBA 0204 1K
R 70	RCB-4100	RESISTOR CARBON 1K 0.33W 5%	1	SBA 0204	SBA 0204 1K
R 71	RCB-4150	RESISTOR CARBON 1K5 0.33W 5%	1	SBA 0204	SBA 0204 1K5
R 72	RCA-5470	RESISTOR CARBON 47K 0.66W 5%	1	SBB 0207	SBB 0207 47K
R 73	RCA-5470	RESISTOR CARBON 47K 0.66W 5%	1	SBB 0207	SBB 0207 47K
R 74	RMA-3243	RESISTOR METAL 243R 0.4W 1%	1	PHILIPS MR25	2322 151 52431
R 75	RMA-4150	RESISTOR METAL 1K5 0.4W 1%	1	PHILIPS MR25	2322 151 51502
R 76	RMA-4150	RESISTOR METAL 1K5 0.4W 1%	1	PHILIPS MR25	2322 151 51502
R 77	RAB-5100	RESISTOR NETWORK 10K 2%	1	SIL 3PIN R4K	4308R 101 103
C 50	CTC-0733	CAP TANTALUM 3.3UF/16V	1	ERO ETP	ETP 1B 3.3UF
C 80	CFG-0922	CAP ELECTROLYTIC 220UF/40V	1	SIEMENS B4131G	B4131G A7227 V
C 81	CFG-0922	CAP ELECTROLYTIC 220UF/40V	1	SIEMENS B4131G	B4131G A7227 V
C 82	CGA-0847	CAPACITOR 47UF/25V	1	MATSUSHITA	ESM
C 83	CFI-0810	CAP ELECTROLYTIC 10UF/16V	1	PH 2222 122	2222 122 55109
C 84	CFI-0810	CAP ELECTROLYTIC 10UF/16V	1	PH 2222 122	2222 122 55109
C 85	CFI-0810	CAP ELECTROLYTIC 10UF/16V	1	PH 2222 122	2222 122 55109
C 86	CFI-0810	CAP ELECTROLYTIC 10UF/16V	1	PH 2222 122	2222 122 55109
C 87	CGA-0847	CAPACITOR 47UF/25V	1	MATSUSHITA	ESM
C 88	CGA-0810	CAP ELECTROLYTIC 10UF/35V	1	MATSUSHITA ESM	ESM R2 10UF
C 89	CAA-0000	CAPACITOR, NOT USED	1	CAA-0000	CAA-0000
D 50	QDS-4148	DIODE, SILICIUM	1	QDS-4148	1N 4148
D 51	QDS-4148	DIODE, SILICIUM	1	QDS-4148	1N 4148

NTP

Date : 8.10.87.
Page / of 2
No. : 530-9531-A-4

QTY MANUFACT/DRW.NO. PART NO.

REF.NO NTP-ID. DESCRIPTION

REF.NO	NTP-ID.	DESCRIPTION	QTY	MANUFACT/DRW.NO.	PART NO.
D 52	QDS-4148	DIODE, SILICIUM	1	QDS-4148	1N 4148
D 82	QDS-4148	DIODE, SILICIUM	1	QDS-4148	1N 4148
D 83	QDS-4148	DIODE, SILICIUM	1	QDS-4148	1N 4148
D 88	QDS-4148	DIODE, SILICIUM	1	QDS-4148	1N 4148
D 80	QDS-4002	DIODE, SILICIUM	1	F-126	1N 4002
D 81	QDS-4002	DIODE, SILICIUM	1	F-126	1N 4002
D 84	QDS-4002	DIODE, SILICIUM	1	F-126	1N 4002
D 85	QDS-4002	DIODE, SILICIUM	1	F-126	1N 4002
D 86	QDS-4002	DIODE, SILICIUM	1	F-126	1N 4002
D 87	QZD-0056	ZENERDIODE 5,6V	1	DO-35	ZPD 5,6
D 89	QZD-0150	ZENERDIODE 15,0V	1	DO-35	ZPD 15
D 90	QZD-0039	ZENERDIODE 3,9V	1	DO-35	ZPD 3,9
IC 10	ICA-4585	4-BIT MAGNITUDE COMPARATOR	1	RCA CD4585	74C85
IC 11	ICA-4585	4-BIT MAGNITUDE COMPARATOR	1	RCA CD4585	74C85
IC 12	ICA-4099	8-BIT ADDRESSABLE LATCHES	1	RCA CD4099BE	CD 4099BE
IC 13	ICA-4011	QUAD 2-INPUT NAND GATE	1	RCA CD4011BE	CD 4011BE
IC 20	ILA-4559	OP-AMP	1	RAYTH. 4559NB	RC 4559NB
IC 21	ILR-317L	SPANDINGS REGULATOR	1	NAT. TO-92	LM 317L
IC 22	ILR-320AA	VOLTAGE REGULATOR 5V	1	NAT. TO-92	LM 320LZ-05
IC 23	ILA-4559	OP-AMP	1	RAYTH. 4559NB	RC 4559NB
CT 2	RWA-0000	STRAP 0.0 OHMS	1	RWA-0000	RWA-0000
CT 3	RWA-0000	STRAP 0.0 OHMS	1	RWA-0000	RWA-0000
SW 1	SSG-0801	DIL SWITCH, SLIDE 8 POS SPST	1	ARIES DIP	145 275
10	170-4053	SCREEN PLATE	1	179-4053-A-4	179-4053
20	299-1055	BUSCHING	4	299-1055-A-4	299-1055
30	MSC-2510	SCREW 2,5 X 10 CHJZ	2	HFC 9033	2.5 X 10 CHJ
40	MYA-0001	CARD EJECTOR	1	VERO	C12409/1 TOP
50	KEM-6406	EUROCONNECTOR 64P ANGLE, MAL	1	ELCO 8257	8257 096 000
60	530-9540	PCB	1	530-9540 CAD	530-9540



Date : 8.10.87.

Page 2 of 2

No. : 530-9531-A-Y

NTP 530-950A

LOUDSPEAKER AMPLIFIER

REF. NO. NTP-ID. DESCRIPTION QTY MANUFACT/DRW.NO. PART NO.

10	530-9551	STAY	2	530-9551-A-4	530-9551
20	530-9552	STAY	2	530-9552-A-4	530-9552
30	530-9554	COVER, ENGRAVED	1	530-9554-A-4	530-9554
40	MTU-2504	SCREW CROSS HEAD 2.5 X 4 UHJ	4	HFC 9040	2.5 X 4 UHJX
50	MSJ-2506	SCREW 2.5 X 6 UHJ	2	HFC 9030	2.5 X 6 UHJZ
60	MTP-3006	SCREW CROSS HEAD 3 X 6 PHJX	1	HFC 41	3 X 6 PHJX
70	MMA-0030	NUT STEEL 3 MM	1	HFC 9832	DIN 934 3MG
80	QBA-0018	ISOLATION BUSH	1	DENKA	BFG-2001
90	QBA-0013	ISOLATION BUSH	1	QBA-0013	T0220HW
100	530-9531	NON COMPLETE BASIC UNIT	1	530-9531	530-9531
A 1	250-300J	ZFT-MODULE, 20K	1	250-3041-J-4	250-300J
A 3	ILS-2150	VCA	1	DBX 2150 A	DBX 2150 A
A 4	ILA-2030	OP-AMP	1	NAT. TDA2030	TDA 2030
A 5	ILA-5532	OP-AMP	1	TEX. NE5532P	NE 5532P
C 1	CFI-0868	CAP ELECTROLYTIC 68UF/6.3V	1	PH 2222 122	2222 122 53689.
C 3	CGA-0822	CAP ELECTROLYTIC 22UF/25V	1	MATSUSHITA ESM	ESM R2 22UF
C 4	CCB-0239	CAP CERAMIC 39PF/100V	1	PH 2222 632	2222 632 58399
C 5	CKK-0468	CAP POLYESTER 6.8NF/400V	1	SIEMENS B32560	B32560 D6682 J
C 6	CKK-0415	CAP POLYESTER 1.5NF/400V	1	SIEMENS B32560	B32560 D6152 J
C 7	CKK-0468	CAP POLYESTER 6.8NF/400V	1	SIEMENS B32560	B32560 D6682 J
C 8	CKK-0415	CAP POLYESTER 1.5NF/400V	1	SIEMENS B32560	B32560 D6152 J
C 9	CFI-0868	CAP ELECTROLYTIC 68UF/6.3V	1	PH 2222 122	2222 122 53689
C 10	CFI-0810	CAP ELECTROLYTIC 10UF/16V	1	PH 2222 122	2222 122 55109
C 11	CAA-0000	CAPACITOR, NOT USED	1	CAA-0000	CAA-0000
C 12	CKH-0622	CAP POLYESTER 220NF/100V	1	SIEMENS B32560	B32560 D1224 J
C 13	CFG-1022	CAP ELECTROLYTIC 2200UF/40V	1	EFR 2200-40	EFR 2200-40
C 14	CFG-0922	CAP ELECTROLYTIC 220UF/40V	1	SIEMENS B41316	B41316 A7227 V
C 15	CKH-0610	CAP POLYESTER 100NF/100V	1	SIEMENS B32560	B32560 D1104 J
C 20	CFH-0710	CAP TANTALUM 1UF/35V	1	ERO ETP	ETP 1A 1UF
C 21	CKH-0610	CAP POLYESTER 100NF/100V	1	SIEMENS B32560	B32560 D1104 J
D 1	QDS-4002	DIODE, SILICIUM	1	F-126	IN 4002
D 2	QDS-4002	DIODE, SILICIUM	1	F-126	IN 4002
IC 1	ICA-4053	TRIPLE 2-INPUT ANALOG MULTIP	1	RCA CD4053BE	CD 4053BE
IC 2	ICA-4053	TRIPLE 2-INPUT ANALOG MULTIP	1	RCA CD4053BE	CD 4053BE
IC 14	OCA-0002	OPTOCOUPLER	1	ISOCOM ILCT 6	ILCT 6
IC 15	OCA-0002	OPTOCOUPLER	1	ISOCOM ILCT 6	ILCT 6
IC 16	OCA-0002	OPTOCOUPLER	1	ISOCOM ILCT 6	ILCT 6
IC 17	OCA-0002	OPTOCOUPLER	1	ISOCOM ILCT 6	ILCT 6
IC 18	OCA-0002	OPTOCOUPLER	1	ISOCOM ILCT 6	ILCT 6
P 1	RFY-5200	POTENTIOMETER 20K	1	DIPLOHMATIC	371-

NTP

Date: 20.1.88.

Page / of 3

No. :530-9533-94

NTP 530.950A LOUDSPEAKER AMPLIFIER

REF. NO NTP-ID. DESCRIPTION QTY MANUFACT/DRW.NO. PART NO.

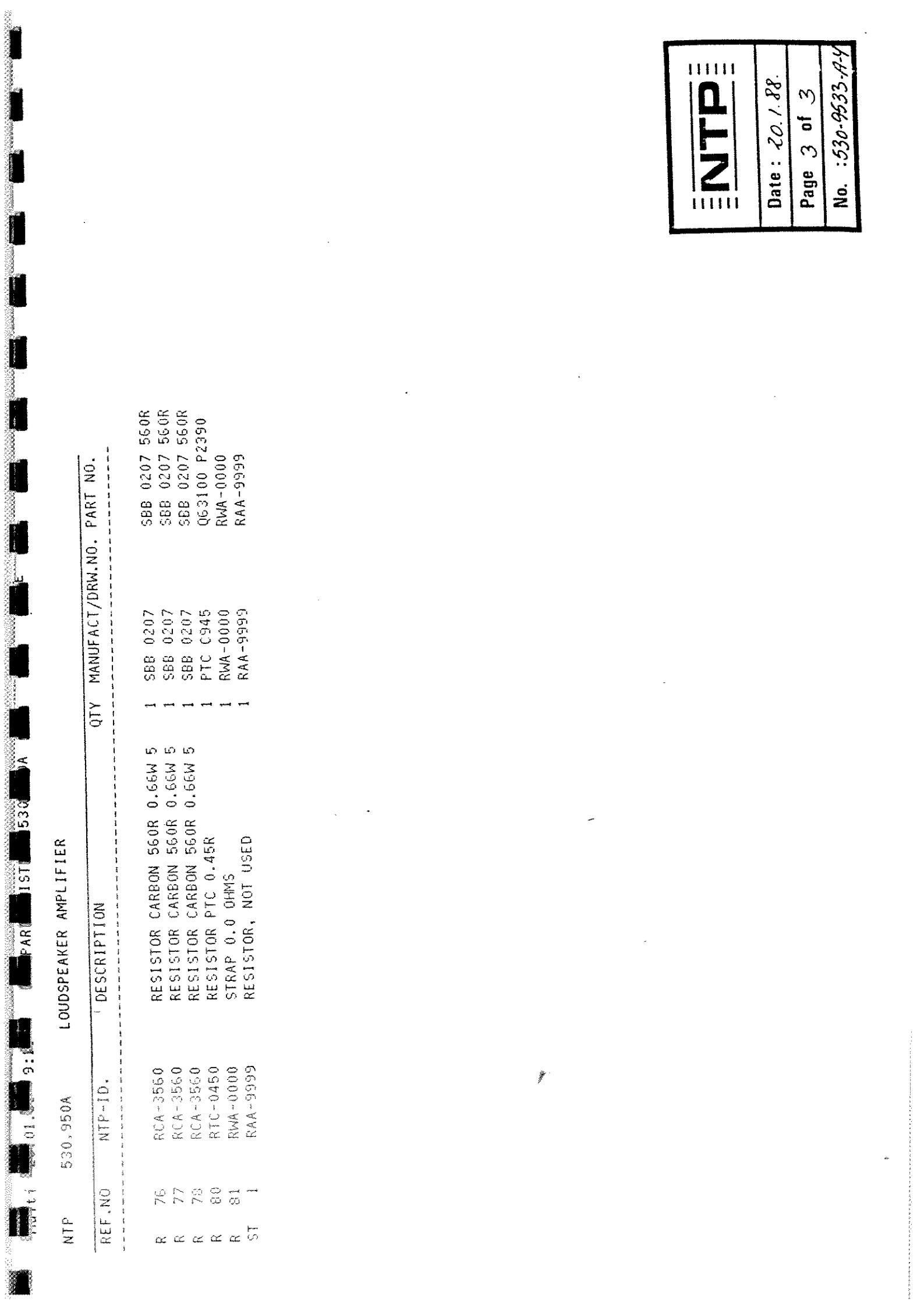
P	2	RFD-5500	TRIMPOTENTIOMETER	50K	1	BOURNS 3386	3386H-1-503
P	3	RFD-5100	TRIMPOTENTIOMETER	10K	1	BOURNS 3386	3386H-1-103
P	4	RFY-5200	POTENTIOMETER	20K	1	DIPLOHOMATIC	371-
R	1	RCA-5150	RESISTOR CARBON	15K 0.66W 5%	1	SBB 0207	SBB 0207 15K
R	3	RMA-4332	RESISTOR METAL	3K32 0.4W 1%	1	PHILIPS MR25	2322 151 53322
R	4	RCA-6100	RESISTOR CARBON	100K 0.66W 5%	1	SBB 0207	SBB 0207 100K
R	5	RMA-2511	RESISTOR METAL	51R1 0.4W 1%	1	PHILIPS MR25	2322 151 55119
R	6	RMA-3619	RESISTOR METAL	619R 0.4W 1%	1	PHILIPS MR25	2322 151 56191
R	7	RCA-5150	RESISTOR CARBON	15K 0.66W 5%	1	SBB 0207	SBB 0207 15K
R	8	RCA-5270	RESISTOR CARBON	27K 0.66W 5%	1	SBB 0207	SBB 0207 27K
R	9	RCA-5680	RESISTOR CARBON	68K 0.66W 5%	1	SBB 0207	SBB 0207 68K
R	10	RCA-5270	RESISTOR CARBON	27K 0.66W 5%	1	SBB 0207	SBB 0207 27K
R	11	RCA-4220	RESISTOR CARBON	2K2 0.66W 5%	1	SBB 0207	SBB 0207 2K2
R	12	RCA-4220	RESISTOR CARBON	2K2 0.66W 5%	1	SBB 0207	SBB 0207 2K2
R	13	RCA-5680	RESISTOR CARBON	68K 0.66W 5%	1	SBB 0207	SBB 0207 68K
R	14	RMA-5267	RESISTOR METAL	26K7 0.4W 1%	1	PHILIPS MR25	2322 151 52673
R	15	RCA-5100	RESISTOR CARBON	10K 0.66W 5%	1	SBB 0207	SBB 0207 10K
R	16	RCA-4470	RESISTOR CARBON	4K7 0.66W 5%	1	SBB 0207	SBB 0207 4K7
R	17	RCA-6150	RESISTOR CARBON	150K 0.66W 5%	1	SBB 0207	SBB 0207 150K
R	18	RAA-9999	RESISTOR, NOT USED		1	RAA-9999	RAA-9999
R	19	RCA-1100	RESISTOR CARBON	1R 0.66W 5%	1	SBB 0207	SBB 0207 1R
R	20	RCA-6100	RESISTOR CARBON	100K 0.66W 5%	1	SBB 0207	SBB 0207 100K
R	21	RCA-6100	RESISTOR CARBON	100K 0.66W 5%	1	SBB 0207	SBB 0207 100K
R	22	RCA-6100	RESISTOR CARBON	100K 0.66W 5%	1	SBB 0207	SBB 0207 100K
R	23	RCA-6220	RESISTOR CARBON	220K 0.66W 5%	1	SBB 0207	SBB 0207 220K
R	24	RCA-5330	RESISTOR CARBON	33K 0.66W 5%	1	SBB 0207	SBB 0207 33K
R	25	RCA-5330	RESISTOR CARBON	33K 0.66W 5%	1	SBB 0207	SBB 0207 33K
R	26	RCA-4680	RESISTOR CARBON	6K8 0.66W 5%	1	SBB 0207	SBB 0207 6K8
R	27	RMA-5137	RESISTOR METAL	13K7 0.4W 1%	1	PHILIPS MR25	2322 151 51373
R	65	RCA-5100	RESISTOR CARBON	10K 0.66W 5%	1	SBB 0207	SBB 0207 10K
R	66	RCA-5100	RESISTOR CARBON	10K 0.66W 5%	1	SBB 0207	SBB 0207 10K
R	67	RCA-5100	RESISTOR CARBON	10K 0.66W 5%	1	SBB 0207	SBB 0207 10K
R	68	RCA-5100	RESISTOR CARBON	10K 0.66W 5%	1	SBB 0207	SBB 0207 10K
R	69	RCA-5100	RESISTOR CARBON	10K 0.66W 5%	1	SBB 0207	SBB 0207 10K
R	70	RCA-4330	RESISTOR CARBON	3K3 0.66W 5%	1	SBB 0207	SBB 0207 3K3
R	71	RCA-4330	RESISTOR CARBON	3K3 0.66W 5%	1	SBB 0207	SBB 0207 3K3
R	72	RCA-4330	RESISTOR CARBON	3K3 0.66W 5%	1	SBB 0207	SBB 0207 3K3
R	73	RCA-3560	RESISTOR CARBON	560R 0.66W 5%	1	SBB 0207	SBB 0207 560R
R	74	RCA-3560	RESISTOR CARBON	560R 0.66W 5%	1	SBB 0207	SBB 0207 560R
R	75	RCA-3560	RESISTOR CARBON	560R 0.66W 5%	1	SBB 0207	SBB 0207 560R

NTP

Date: 20.1.88.

Page 2 of 3

No. 530-9533-A-4



01. 9: PAR LIST 530 A

LOUDSPEAKER AMPLIFIER

530.950A

NTP

REF. NO. NTP-ID. DESCRIPTION QTY MANUFACT/DRW.NO. PART NO.

R 76	RCA-3560	RESISTOR CARBON 560R 0.66W 5	1	SBB 0207	SBB 0207 560R
R 77	RCA-3560	RESISTOR CARBON 560R 0.66W 5	1	SBB 0207	SBB 0207 560R
R 78	RCA-3560	RESISTOR CARBON 560R 0.66W 5	1	SBB 0207	SBB 0207 560R
R 80	RTC-0450	RESISTOR PTC 0.45R	1	PTC C945	Q63100 P2390
R 81	RWA-0000	STRAP 0.0 OHMS	1	RWA-0000	RWA-0000
ST 1	RAA-9999	RESISTOR, NOT USED	1	RAA-9999	RAA-9999

NTP
Date: 20.1.88.
Page 3 of 3
No. :530-9533-A4

NTP 530-9508 MICROPHONE AMPLIF. W. LIMITER

REF. NO	NTP-ID.	DESCRIPTION	QTY	MANUFACT/DRW. NO.	PART NO.
10	MMA-0025	NUT STEEL 2.5 MM	2	HFC-9032	6 KT
20	179-4056	SCREENPLATE	1	179-4056-A-4	179-4056
40	530-9531	NON COMPLETE BASIC UNIT	1	530-9531	530-9531
A	10	ILA-5532	1	TEX. NE5532P	NE 5532P
A	11	ILS-2150	1	DBX 2150 A	DBX 2150 A
A	12	ILA-5532	1	TEX. NE5532P	NE 5532P
C	101	CCA-0410	1	PH 2222 629	2222 629 02102
C	102	CCB-0256	1	PH 2222 632	2222 632 58569
C	103	CFI-0710	1	PH 2222 122	2222 122 57108
C	104	CKC-0610	1	WIMA MKS	MKS 2 100NF
C	105	CCB-0215	1	PH 2222 632	2222 632 58159
C	106	CCB-0232	1	PH 2222 632	2222 632 58829
C	107	CFI-0810	1	PH 2222 122	2222 122 55109
C	108	CCB-0168	1	PH 2222 632	2222 632 57688
C	109	CTF-0710	1	ERO ETP	ETP 1A 1UF
C	110	CKH-0610	1	SIEMENS B32560	B32560 D1104 J
C	111	CKH-0622	1	SIEMENS B32560	B32560 D1224 J
C	112	CKQ-0722	1	SIEMENS B32562	B32562 D1225 J
C	113	CFI-0710	1	PH 2222 122	2222 122 57108
D	101	QDS-0013	1	DO-35	BAX 13
D	102	QDS-0013	1	DO-35	DAX 13
D	103	QDS-4002	1	F-126	1N 4002
D	104	QDS-4002	1	F-126	1N 4002
D	105	QDS-4002	1	F-126	1N 4002
D	106	QDS-4002	1	F-126	1N 4002
D	107	QDS-4148	1	QDS-4148	1N 4148
D	108	QDS-4148	1	QDS-4148	1N 4148
D	109	QDS-4148	1	QDS-4148	1N 4148
D	110	QDS-4148	1	QDS-4148	1N 4148
D	111	QDS-4148	1	QDS-4148	1N 4148
IC	2	ICA-4053	1	RCA CD4053BE	CD 4053BE
IC	17	OCA-0002	1	ISOCCM ILCT 6	ILCT 6
IC	18	OCA-0002	1	ISOCCM ILCT 6	ILCT 6
IC	24	ILA-353	1	NAT. LF353	LF 353
P	5	RFD-5500	1	BOURNS 3386	3386H-1-503
P	6	RFY-5200	1	DIPLOHMATIC	371-
Q	101	QBN-0237	1	TO-92	DC237 B
Q	102	QBP-0307	1	TO-92	BC307
Q	103	QBP-0307	1	TO-92	BC307
Q	103	QBP-0307	1	TO-92	BC237 B



Date: 8.10.87.

Page / of 3

No. :530-9533-B-4

DESCRIPTION

REF.NO NTP-ID.

REF.NO	NTP-ID.	DESCRIPTION	QTY	MANUFACT/DRW.NO.	PART NO.
Q 105	QFN-4302	FET	1	QFN-4302	2N 4302
Q 106	QBN-0237	TRANSISTOR, NPN	1	TO-92	BC237 B
Q 107	QBN-0237	TRANSISTOR, NPN	1	TO-92	BC237 B
Q 108	QEN-0237	TRANSISTOR, NPN	1	TO-92	BC237 B
R 77	RCA-3560	RESISTOR CARBON 560R 0.66W 5	1	SBB 0207	SBB 0207 560R
R 78	RCA-3560	RESISTOR CARBON 560R 0.66W 5	1	SBB 0207	SBB 0207 560R
R 80	RTC-1940	RESISTOR PTC 9R4	1	PTC Q63100	P2390 C970
R 81	RWA-0000	STRAP 0.0 OHMS	1	RWA-0000	RWA-0000
R 101	RAA-9999	RESISTOR, NOT USED	1	RAA-9999	RAA-9999
R 102	RAA-9999	RESISTOR, NOT USED	1	RAA-9999	RAA-9999
R 103	RMA-3221	RESISTOR METAL 221R 0.4W 1%	1	PHILIPS MR25	2322 151 52211
R 104	RCA-5470	RESISTOR CARBON 47K 0.66W 5%	1	SBB 0207	SBB 0207 47K
R 105	RMA-4681	RESISTOR METAL 6K81 0.4W 1%	1	PHILIPS MR25	2322 151 56812
R 106	RCA-5150	RESISTOR CARBON 15K 0.66W 5%	1	SBB 0207	SBB 0207 15K
R 107	RCD-6100	RESISTOR CARBON 100K 0.33W 5	1	SDA 0204	SBA 0204 100K
R 108	RMA-2511	RESISTOR METAL 51R1 0.4W 1%	1	PHILIPS MR25	2322 151 55119
R 109	RMA-2511	RESISTOR METAL 51R1 0.4W 1%	1	PHILIPS MR25	2322 151 55119
R 110	RMA-4332	RESISTOR METAL 3K32 0.4W 1%	1	PHILIPS MR25	2322 151 53322
R 111	RCA-6150	RESISTOR CARBON 150K 0.66W 5	1	SBB 0207	SBB 0207 150K
R 112	RMA-4681	RESISTOR METAL 6K01 0.4W 1%	1	PHILIPS MR25	2322 151 56812
R 113	RAA-9999	RESISTOR, NOT USED	1	RAA-9999	RAA-9999
R 114	RCA-5100	RESISTOR CARBON 10K 0.66W 5%	1	SBB 0207	SBB 0207 10K
R 115	RCA-3150	RESISTOR CARBON 150R 0.66W 5	1	SBB 0207	SBB 0207 150R
R 116	RCA-5470	RESISTOR CARBON 47K 0.66W 5%	1	SBB 0207	SBB 0207 47K
R 117	RMA-4392	RESISTOR METAL 3K92 0.4W 1%	1	PHILIPS MR25	2322 151 53922
R 118	RMA-4392	RESISTOR METAL 3K92 0.4W 1%	1	PHILIPS MR25	2322 151 53922
R 119	RMA-4475	RESISTOR METAL 4K75 0.4W 1%	1	PHILIPS MR25	2322 151 54752
R 120	RMA-4475	RESISTOR METAL 4K75 0.4W 1%	1	PHILIPS MR25	2322 151 54752
R 121	RTA-3100	RESISTOR PTC 100R 0.13W 2%	1	PTC GT-55	LP 1/8 100R
R 122	RCA-6100	RESISTOR CARBON 100K 0.66W 5	1	SBB 0207	SBB 0207 100K
R 123	RCA-6100	RESISTOR CARBON 100K 0.66W 5	1	SBB 0207	SBB 0207 100K
R 124	RCA-6220	RESISTOR CARBON 220K 0.66W 5	1	SBB 0207	SBB 0207 220K
R 125	RMA-4133	RESISTOR METAL 1K33 0.4W 1%	1	PHILIPS MR25	2322 151 51332
R 126	RMA-5750	RESISTOR METAL 75K 0.4W 1%	1	PHILIPS MR25	2322 151 57503
R 127	RMA-4825	RESISTOR METAL 8K25 0.4W 1%	1	PHILIPS MR25	2322 151 58252
R 128	RMA-4825	RESISTOR METAL 8K25 0.4W 1%	1	PHILIPS MR25	2322 151 58252
R 129	RMA-5750	RESISTOR METAL 75K 0.4W 1%	1	PHILIPS MR25	2322 151 57503
R 130	RMA-5750	RESISTOR METAL 75K 0.4W 1%	1	PHILIPS MR25	2322 151 57503
R 131	RCA-4220	RESISTOR CARBON 2K2 0.66W 5%	1	SBB 0207	SBB 0207 2K2
R 132	RCA-4270	RESISTOR CARBON 2K7 0.66W 5%	1	SBB 0207	SBB 0207 2K7

NTP

Date : 8.10.87.

Page 2 of 3

No. :530-950B-Y

QTY MANUFACT/DRW.NO. PART NO.

DESCRIPTION

REF. NO NTP-ID.

R 133	RCA-3270	RESISTOR CARBON 270R 0.66W 5	1	SBB 0207	SBB 0207 270R
R 134	RCA-4220	RESISTOR CARBON 2K2 0.66W 5%	1	SBB 0207	SBB 0207 2K2
R 135	RCA-4220	RESISTOR CARBON 2K2 0.66W 5%	1	SBB 0207	SBB 0207 2K2
R 136	RCA-6470	RESISTOR CARBON 470K 0.66W 5	1	SBB 0207	SBB 0207 470K
R 137	RCA-6220	RESISTOR CARBON 220K 0.66W 5	1	SBB 0207	SBB 0207 220K
R 138	RCA-7180	RESISTOR CARBON 1M8 0.66W 5%	1	SBB 0207	SBB 0207 1M8
R 139	RXA-8220	RESISTOR HIGHVOLT 22M 0.25W	1	PHILIPS VR25	2322 241 13226
R 140	RCA-6100	RESISTOR CARBON 100K 0.66W 5	1	SBB 0207	SBB 0207 100K
R 141	RCA-7470	RESISTOR CARBON 4M7 0.66W 5%	1	SBB 0207	SBB 0207 4M7
R 142	RCA-6100	RESISTOR CARBON 100K 0.66W 5	1	SBB 0207	SBB 0207 100K
R 143	RCA-5100	RESISTOR CARBON 10K 0.66W 5%	1	SBB 0207	SBB 0207 10K
R 144	RCA-5100	RESISTOR CARBON 10K 0.66W 5%	1	SBB 0207	SBB 0207 10K
R 145	RCA-5100	RESISTOR CARBON 10K 0.66W 5%	1	SBB 0207	SBB 0207 10K
R 146	RCA-4220	RESISTOR CARBON 2K2 0.66W 5%	1	SBB 0207	SBB 0207 2K2
R 147	RCA-4220	RESISTOR CARBON 2K2 0.66W 5%	1	SBB 0207	SBB 0207 2K2
R 148	RMA-4165	RESISTOR METAL 1K65 0.4W 1%	1	PHILIPS MR25	2322 151 51652
R 149	RCA-4330	RESISTOR CARBON 3K3 0.66W 5%	1	SBB 0207	SBB 0207 3K3
R 150	RCB-6100	RESISTOR CARBON 100K 0.33W 5	1	SBA 0204	SBA 0204 100K
R 151	RCB-5100	RESISTOR CARBON 10K 0.33W 5%	1	SBA 0204	SBA 0204 10K
R 152	RMA-4121	RESISTOR METAL 1K21 0.4W 1%	1	PHILIPS MR25	2322 151 51212
R 153	RMA-43C5	RESISTOR METAL 3K65 0.4W 1%	1	PHILIPS MR25	2322 151 53652
TR 1	LTB-0003	TRANSFORMER PLUGIN 1:3	1	BEYER 310	310.203.002
TR 2	LTL-0005	OUTPUTTRANSFORMER	1	LUNDAHL 5007	LL 5007

NTP

Date : 8.10.87.

Page 3 of 3

No. : 530-9533B-4

REF. NO. NTP-ID. DESCRIPTION QTY MANUFACT/DRW.NO. PART NO.

REF. NO	NTP-ID.	DESCRIPTION	QTY	MANUFACT/DRW.NO.	PART NO.
10	530-9551	STAY	2	530-9551-A-4	530-9551
20	530-9552	STAY	2	530-9552-A-4	530-9552
30	530-9554	COVER, ENGRAVED	1	530-9554-A-4	530-9554
40	179-4056	SCREENPLATE	1	179-4056-A-4	179-4056
50	MTU-2504	SCREW CROSS HEAD 2.5 X 4 UHJ	4	HFC 9040	2.5 X 4 UHJX
60	NSU-2506	SCREW 2.5 X 6 UHJ	2	HFC 9030	2.5 X 6 UHJZ
70	MTP-3006	SCREW CROSS HEAD 3 X 6 PHJX	1	HFC 41	3 X 6 PHJX
80	NMA-0030	NUT STEEL 3 MM	1	HFC 9832	DIN 934 3MG
90	QBA-0018	ISOLATION BUSH	1	DENKA	BFG-2001
100	QBA-0013	ISOLATION BUSH	1	QBA-0013	TO220HW
110	530-9531	NON COMPLETE BASIC UNIT	1	530-9531	530-9531
A 1	250-300J	ZFT-MODULE, 20K	1	250-3041-J-4	250-300J
A 3	ILS-2150	VCA	1	DBX 2150 A	DBX 2150 A
A 4	ILA-2030	OP-AMP	1	NAT. TDA2030	TDA 2030
A 5	ILA-5532	OP-AMP	1	TEX. NE5532P	NE 5532P
A 10	ILA-5532	OP-AMP	1	TEX. NE5532P	NE 5532P
A 11	ILS-2150	VCA	1	DBX 2150 A	DBX 2150 A
A 12	ILA-5532	OP-AMP	1	TEX. NE5532P	NE 5532P
C 1	CFI-0868	CAP ELECTROLYTIC 68UF/6.3V	1	PH 2222 122	2222 122 53689
C 3	CGA-0822	CAP ELECTROLYTIC 22UF/25V	1	MATSUSHITA ESM	ESM R2 22UF
C 4	CCB-0239	CAP CERAMIC 39PF/100V	1	PH 2222 632	2222 632 58399
C 5	CKK-0468	CAP POLYESTER 6.8NF/400V	1	SIEMENS B32560	B32560 D6682 J
C 6	CKK-0415	CAP POLYESTER 1.5NF/400V	1	SIEMENS B32560	B32560 D6152 J
C 7	CKK-0468	CAP POLYESTER 6.8NF/400V	1	SIEMENS B32560	B32560 D6682 J
C 8	CKK-0415	CAP POLYESTER 1.5NF/400V	1	SIEMENS B32560	B32560 D6152 J
C 9	CFI-0868	CAP ELECTROLYTIC 68UF/6.3V	1	PH 2222 122	2222 122 53689
C 10	CFI-0810	CAP ELECTROLYTIC 10UF/16V	1	PH 2222 122	2222 122 55109
C 11	CAA-0000	CAPACITOR, NOT USED	1	CAA-0000	CAA-0000
C 12	CKH-0522	CAP POLYESTER 220NF/100V	1	SIEMENS B32560	B32560 D1224 J
C 13	CFG-1022	CAP ELECTROLYTIC 2200UF/40V	1	EFR 2200-40	EFR 2200-40
C 14	CFG-0922	CAP ELECTROLYTIC 220UF/40V	1	SIEMENS B41316	B41316 A7227 V
C 15	CKH-0610	CAP POLYESTER 100NF/100V	1	SIEMENS B32560	B32560 D1104 J
C 20	CTF-0710	CAP TANTALUM 1UF/35V	1	ERO ETP	ETP 1A 1UF
C 21	CKH-0610	CAP POLYESTER 100NF/100V	1	SIEMENS B32560	B32560 D1104 J
C 101	CCA-0410	CAP CERAMIC 1NF/63V	1	PH 2222 629	2222 629 02102
C 102	CCB-0256	CAP CERAMIC 56PF/100V	1	PH 2222 632	2222 632 58569
C 103	CFI-0710	CAP ELECTROLYTIC 1UF/40V	1	PH 2222 122	2222 122 57108
C 104	CKC-0610	CAP POLYESTER 100NF/50V	1	WIMA MKS	MKS 2 100NF
C 105	CCB-0215	CAP CERAMIC 15PF/100V	1	PH 2222 632	2222 632 58159
C 106	CCB-0282	CAP CERAMIC 82PF/100V	1	PH 2222 632	2222 632 58829

NTP

Date : 20.1.88.

Page / of 5

No. : 530-9533C-4

REF. NO	NTP-ID.	DESCRIPTION	QTY	MANUFACT/DRW.NO.	PART NO.
C 107	CFI-0810	CAP ELECTROLYTIC 10UF/16V	1	PH 2222 122	2222 122 55109
C 108	CCB-0168	CAP CERAMIC 6.8PF/100V	1	PH 2222 632	2222 632 57688
C 109	CTF-0710	CAP TANTALUM 1UF/35V	1	ERO ETP	ETP 1A 1UF
C 110	CKH-0610	CAP POLYESTER 100NF/100V	1	SIEMENS B32560	B32560 D1104 J
C 111	CKH-0522	CAP POLYESTER 220NF/100V	1	SIEMENS B32560	B32560 D1224 J
C 112	CKQ-0722	CAP POLYESTER 2.2UF/100V	1	SIEMENS B32562	B32562 D1225 J
C 113	CFI-0710	CAP ELECTROLYTIC 1UF/40V	1	PH 2222 122	2222 122 57108
D 1	QDS-4002	DIODE, SILICIUM	1	F-126	1N 4002
D 2	QDS-4002	DIODE, SILICIUM	1	F-126	1N 4002
D 101	QDS-0013	DIODE, SILICIUM	1	D0-35	BAX 13
D 102	QDS-0013	DIODE, SILICIUM	1	D0-35	BAX 13
D 103	QDS-4002	DIODE, SILICIUM	1	F-126	1N 4002
D 104	QDS-4002	DIODE, SILICIUM	1	F-126	1N 4002
D 105	QDS-4002	DIODE, SILICIUM	1	F-126	1N 4002
D 106	QDS-4002	DIODE, SILICIUM	1	F-126	1N 4002
D 107	QDS-4148	DIODE, SILICIUM	1	QDS-4148	1N 4148
D 108	QDS-4148	DIODE, SILICIUM	1	QDS-4148	1N 4148
D 109	QDS-4148	DIODE, SILICIUM	1	QDS-4148	1N 4148
D 110	QDS-4148	DIODE, SILICIUM	1	QDS-4148	1N 4148
D 111	QDS-4148	DIODE, SILICIUM	1	QDS-4148	1N 4148
IC 1	ICA-4053	TRIPLE 2-INPUT ANALOG MULTIP	1	RCA CD4053BE	CD 4053BE
IC 2	ICA-4053	TRIPLE 2-INPUT ANALOG MULTIP	1	RCA CD4053BE	CD 4053BE
IC 14	OCA-0002	OPTOCOUPLER	1	ISOCOM ILCT 6	ILCT 6
IC 15	OCA-0002	OPTOCOUPLER	1	ISOCOM ILCT 6	ILCT 6
IC 16	OCA-0002	OPTOCOUPLER	1	ISOCOM ILCT 6	ILCT 6
IC 17	OCA-0002	OPTOCOUPLER	1	ISOCOM ILCT 6	ILCT 6
IC 18	OCA-0002	OPTOCOUPLER	1	ISOCOM ILCT 6	ILCT 6
IC 24	ILA-353	OP-AMP	1	NAT. LF353	LF 353
P 1	RFY-5200	POTENTIOMETER 20K	1	DIPLOHMATIC	371-
P 2	RFD-5500	TRIMPOTENTIOMETER 50K	1	BOURNS 3386	3386H-1-503
P 3	RFD-5100	TRIMPOTENTIOMETER 10K	1	BOURNS 3386	3386H-1-103
P 4	RFY-5200	POTENTIOMETER 20K	1	DIPLOHMATIC	371-
P 5	RFD-5500	TRIMPOTENTIOMETER 50K	1	BOURNS 3386	3386H-1-503
P 6	RFY-5200	POTENTIOMETER 20K	1	DIPLOHMATIC	371-
Q 101	Q6N-0237	TRANSISTOR, NPN	1	T0-92	BC237 B
Q 102	Q6P-0307	TRANSISTOR, PNP	1	T0-92	BC307
Q 103	Q6P-0307	TRANSISTOR, PNP	1	T0-92	BC307
Q 104	Q6N-0237	TRANSISTOR, NPN	1	T0-92	BC237 B
Q 105	QFN-4302	FET	1	QFN-4302	2N 4302
Q 106	Q6N-0237	TRANSISTOR, NPN	1	T0-92	BC237 B

NTP

Date: 20.1.88.
Page 2 of 5
No. :530-9533-C-4

Multi 20.01.88 9:14

PARTS LIST 530.950C

PAGE 3

NTP 530.950C LOUDSP/MICROPHONE AMPLIFIER

REF. NO	NTP-ID.	DESCRIPTION	QTY	MANUFACT/DRW.NO.	PART NO.
Q 107	QBN-0237	TRANSISTOR, NPN	1	TO-92	BC237 B
Q 108	QBN-0237	TRANSISTOR, NPN	1	TO-92	BC237 B
R 1	RCA-5150	RESISTOR CARBON 15K 0.66W 5%	1	SBB 0207	2322 151 53322
R 3	RMA-4332	RESISTOR METAL 3K32 0.4W 1%	1	PHILIPS MR25	SBB 0207 100K
R 4	RCA-6100	RESISTOR CARBON 100K 0.66W 5	1	SBB 0207	2322 151 55119
R 5	RMA-2511	RESISTOR METAL 51R1 0.4W 1%	1	PHILIPS MR25	2322 151 56191
R 6	RMA-3619	RESISTOR METAL 619R 0.4W 1%	1	PHILIPS MR25	SBB 0207 15K
R 7	RCA-5150	RESISTOR CARBON 15K 0.66W 5%	1	SBB 0207	SBB 0207 27K
R 8	RCA-5270	RESISTOR CARBON 27K 0.66W 5%	1	SBB 0207	SBB 0207 68K
R 9	RCA-5680	RESISTOR CARBON 68K 0.66W 5%	1	SBB 0207	SBB 0207 27K
R 10	RCA-5270	RESISTOR CARBON 27K 0.66W 5%	1	SBB 0207	SBB 0207 2K2
R 11	RCA-4220	RESISTOR CARBON 2K2 0.66W 5%	1	SBB 0207	SBB 0207 2K2
R 12	RCA-4220	RESISTOR CARBON 2K2 0.66W 5%	1	SBB 0207	SBB 0207 68K
R 13	RCA-5680	RESISTOR CARBON 68K 0.66W 5%	1	SBB 0207	2322 151 52673
R 14	RMA-5267	RESISTOR METAL 26K7 0.4W 1%	1	PHILIPS MR25	SBB 0207 10K
R 15	RCA-5100	RESISTOR CARBON 10K 0.66W 5%	1	SBB 0207	SBB 0207 4K7
R 16	RCA-4470	RESISTOR CARBON 4K7 0.66W 5%	1	SBB 0207	SBB 0207 150K
R 17	RCA-6150	RESISTOR CARBON 150K 0.66W 5	1	SBB 0207	RAA-9999
R 18	RAA-9999	RESISTOR, NOT USED	1	RAA-9999	SBB 0207 1R
R 19	RCA-1100	RESISTOR CARBON 1R 0.66W 5%	1	SBB 0207	SBB 0207 100K
R 20	RCA-6100	RESISTOR CARBON 100K 0.66W 5	1	SBB 0207	SBB 0207 100K
R 21	RCA-6100	RESISTOR CARBON 100K 0.66W 5	1	SBB 0207	SBB 0207 100K
R 22	RCA-6100	RESISTOR CARBON 100K 0.66W 5	1	SBB 0207	SBB 0207 220K
R 23	RCA-6220	RESISTOR CARBON 220K 0.66W 5	1	SBB 0207	SBB 0207 33K
R 24	RCA-5330	RESISTOR CARBON 33K 0.66W 5%	1	SBB 0207	SBB 0207 33K
R 25	RCA-5330	RESISTOR CARBON 33K 0.66W 5%	1	SBB 0207	SBB 0207 6K8
R 26	RCA-4680	RESISTOR CARBON 6K8 0.66W 5%	1	SBB 0207	2322 151 51373
R 27	RMA-5137	RESISTOR METAL 13K7 0.4W 1%	1	PHILIPS MR25	SBB 0207 10K
R 28	RCA-5100	RESISTOR CARBON 10K 0.66W 5%	1	SBB 0207	SBB 0207 10K
R 29	RCA-5100	RESISTOR CARBON 10K 0.66W 5%	1	SBB 0207	SBB 0207 10K
R 30	RCA-5100	RESISTOR CARBON 10K 0.66W 5%	1	SBB 0207	SBB 0207 10K
R 31	RCA-5100	RESISTOR CARBON 10K 0.66W 5%	1	SBB 0207	SBB 0207 10K
R 32	RCA-5100	RESISTOR CARBON 10K 0.66W 5%	1	SBB 0207	SBB 0207 10K
R 33	RCA-5100	RESISTOR CARBON 10K 0.66W 5%	1	SBB 0207	SBB 0207 10K
R 34	RCA-5100	RESISTOR CARBON 10K 0.66W 5%	1	SBB 0207	SBB 0207 10K
R 35	RCA-5100	RESISTOR CARBON 10K 0.66W 5%	1	SBB 0207	SBB 0207 10K
R 36	RCA-5100	RESISTOR CARBON 10K 0.66W 5%	1	SBB 0207	SBB 0207 10K
R 37	RCA-5100	RESISTOR CARBON 10K 0.66W 5%	1	SBB 0207	SBB 0207 10K
R 38	RCA-5100	RESISTOR CARBON 10K 0.66W 5%	1	SBB 0207	SBB 0207 10K
R 39	RCA-5100	RESISTOR CARBON 10K 0.66W 5%	1	SBB 0207	SBB 0207 10K
R 40	RCA-5100	RESISTOR CARBON 10K 0.66W 5%	1	SBB 0207	SBB 0207 10K
R 41	RCA-4330	RESISTOR CARBON 3K3 0.66W 5%	1	SBB 0207	SBB 0207 3K3
R 42	RCA-4330	RESISTOR CARBON 3K3 0.66W 5%	1	SBB 0207	SBB 0207 3K3
R 43	RCA-3560	RESISTOR CARBON 560R 0.66W 5	1	SBB 0207	SBB 0207 560R
R 44	RCA-3560	RESISTOR CARBON 560R 0.66W 5	1	SBB 0207	SBB 0207 560R
R 45	RCA-3560	RESISTOR CARBON 560R 0.66W 5	1	SBB 0207	SBB 0207 560R

NTP

Date: 20.1.88.

Page 3 of 5

No. : 530-9533-CV

REF. NO	NTP-ID.	DESCRIPTION	QTY	MANUFACT/DRW.NO.	PART NO.
R 77	RCA-3560	RESISTOR CARBON 560R 0.66W 5	1	SBB 0207	SBB 0207 560R
R 78	RCA-3560	RESISTOR CARBON 560R 0.66W 5	1	SBB 0207	SBB 0207 560R
R 80	RTC-0450	RESISTOR PTC 0.45R	1	PTC C945	Q63100 P2390
R 81	RWA-0000	STRAP 0.0 OHMS	1	RWA-0000	RWA-0000
R 101	RAA-9999	RESISTOR, NOT USED	1	RAA-9999	RAA-9999
R 102	RAA-9999	RESISTOR, NOT USED	1	RAA-9999	RAA-9999
R 103	RMA-3221	RESISTOR METAL 221R 0.4W 1%	1	PHILIPS MR25	2322 151 52211
R 104	RCA-5470	RESISTOR CARBON 47K 0.66W 5%	1	SBB 0207	SBB 0207 47K
R 105	RMA-4681	RESISTOR METAL 6K81 0.4W 1%	1	PHILIPS MR25	2322 151 56812
R 106	RCA-5150	RESISTOR CARBON 15K 0.66W 5%	1	SBB 0207	SBB 0207 15K
R 107	RCB-6100	RESISTOR CARBON 100K 0.33W 5	1	SBA 0204	SBA 0204 100K
R 108	RMA-2511	RESISTOR METAL 51R1 0.4W 1%	1	PHILIPS MR25	2322 151 55119
R 109	RMA-2511	RESISTOR METAL 51R1 0.4W 1%	1	PHILIPS MR25	2322 151 55119
R 110	RMA-4332	RESISTOR METAL 3K32 0.4W 1%	1	PHILIPS MR25	2322 151 53322
R 111	RCA-6150	RESISTOR CARBON 150K 0.66W 5	1	SBB 0207	SBB 0207 150K
R 112	RMA-4681	RESISTOR METAL 6K81 0.4W 1%	1	PHILIPS MR25	2322 151 56812
R 113	RAA-9999	RESISTOR, NOT USED	1	RAA-9999	RAA-9999
R 114	RCA-5100	RESISTOR CARBON 10K 0.66W 5%	1	SBB 0207	SBB 0207 10K
R 115	RCA-3150	RESISTOR CARBON 150R 0.66W 5	1	SBB 0207	SBB 0207 150R
R 116	RCA-5470	RESISTOR CARBON 47K 0.66W 5%	1	SBB 0207	SBB 0207 47K
R 117	RMA-4392	RESISTOR METAL 3K92 0.4W 1%	1	PHILIPS MR25	2322 151 53922
R 118	RMA-4392	RESISTOR METAL 3K92 0.4W 1%	1	PHILIPS MR25	2322 151 53922
R 119	RMA-4475	RESISTOR METAL 4K75 0.4W 1%	1	PHILIPS MR25	2322 151 54752
R 120	RMA-4475	RESISTOR METAL 4K75 0.4W 1%	1	PHILIPS MR25	2322 151 54752
R 121	RTA-3100	RESISTOR PTC 100R 0.13W 2%	1	PTC GT-55	LP 1/8 100R
R 122	RCA-6100	RESISTOR CARBON 100K 0.66W 5	1	SBB 0207	SBB 0207 100K
R 123	RCA-6100	RESISTOR CARBON 100K 0.66W 5	1	SBB 0207	SBB 0207 100K
R 124	RCA-6220	RESISTOR CARBON 220K 0.66W 5	1	SBB 0207	SBB 0207 220K
R 125	RMA-4133	RESISTOR METAL 1K33 0.4W 1%	1	PHILIPS MR25	2322 151 51332
R 126	RMA-5750	RESISTOR METAL 75K 0.4W 1%	1	PHILIPS MR25	2322 151 57503
R 127	RMA-4825	RESISTOR METAL 8K25 0.4W 1%	1	PHILIPS MR25	2322 151 58252
R 128	RMA-4825	RESISTOR METAL 8K25 0.4W 1%	1	PHILIPS MR25	2322 151 58252
R 129	RMA-5750	RESISTOR METAL 75K 0.4W 1%	1	PHILIPS MR25	2322 151 57503
R 130	RMA-5750	RESISTOR METAL 75K 0.4W 1%	1	PHILIPS MR25	2322 151 57503
R 131	RCA-4220	RESISTOR CARBON 2K2 0.66W 5%	1	SBB 0207	SBB 0207 2K2
R 132	RCA-4270	RESISTOR CARBON 2K7 0.66W 5%	1	SBB 0207	SBB 0207 2K7
R 133	RCA-3270	RESISTOR CARBON 270R 0.66W 5	1	SBB 0207	SBB 0207 270R
R 134	RCA-4220	RESISTOR CARBON 2K2 0.66W 5%	1	SBB 0207	SBB 0207 2K2
R 135	RCA-4220	RESISTOR CARBON 2K2 0.66W 5%	1	SBB 0207	SBB 0207 2K2
R 136	RCA-6470	RESISTOR CARBON 470K 0.66W 5	1	SBB 0207	SBB 0207 470K

NTP

Date : 20.1.88.

Page 4 of 5

No. : 530-9533-C-4

REF. NO	NTP-ID.	DESCRIPTION	QTY	MANUFACT/DRW.NO.	PART NO.
R 137	RCA-6220	RESISTOR CARBON 220K 0.66W 5	1	SBB 0207	SBB 0207 220K
R 138	RCA-7180	RESISTOR CARBON 1M8 0.66W 5%	1	SBB 0207	SBB 0207 1M8
R 139	RXA-8220	RESISTOR HIGHVOLT 22M 0.25W	1	PHILIPS VR25	2322 241 13225
R 140	RCA-6100	RESISTOR CARBON 100K 0.66W 5	1	SBB 0207	SBB 0207 100K
R 141	RCA-7470	RESISTOR CARBON 4M7 0.66W 5%	1	SBB 0207	SBB 0207 4M7
R 142	RCA-6100	RESISTOR CARBON 100K 0.66W 5	1	SBB 0207	SBB 0207 100K
R 143	RCA-5100	RESISTOR CARBON 10K 0.66W 5%	1	SBB 0207	SBB 0207 10K
R 144	RCA-5100	RESISTOR CARBON 10K 0.66W 5%	1	SBB 0207	SBB 0207 10K
R 145	RCA-5100	RESISTOR CARBON 10K 0.66W 5%	1	SBB 0207	SBB 0207 10K
R 146	RCA-4220	RESISTOR CARBON 2K2 0.66W 5%	1	SBB 0207	SBB 0207 2K2
R 147	RCA-4220	RESISTOR CARBON 2K2 0.66W 5%	1	SBB 0207	SBB 0207 2K2
R 148	RMA-4165	RESISTOR METAL 1K65 0.4W 1%	1	PHILIPS MR25	2322 151 51652
R 149	RCA-4330	RESISTOR CARBON 3K3 0.66W 5%	1	SBB 0207	SBB 0207 3K3
R 150	RCB-6100	RESISTOR CARBON 100K 0.33W 5	1	SBA 0204	SBA 0204 100K
R 151	RCB-5100	RESISTOR CARBON 10K 0.33W 5%	1	SBA 0204	SBA 0204 10K
R 152	RMA-4121	RESISTOR METAL 1K21 0.4W 1%	1	PHILIPS MR25	2322 151 51212
R 153	RMA-4365	RESISTOR METAL 3K65 0.4W 1%	1	PHILIPS MR25	2322 151 53652
ST 1	RAA-9999	RESISTOR, NOT USED	1	RAA-9999	RAA-9999
TR 1	LTB-0003	TRANSFORMER PLUGIN 1:3	1	BEYER 310	310.203.002
TR 2	LTL-0005	OUTPUTTRANSFORMER	1	LUNDAHL 5007	LL 5007

NTP
Date : 20.1.88.
Page 5 of 5
No. : 530-9533-64

REF. NO	NTP-ID.	DESCRIPTION	QTY	MANUFACT/DRW.NO.	PART NO.
10	530-9551	STAY	2	530-9551-A-4	530-9551
20	530-9552	STAY	2	530-9552-A-4	530-9552
30	530-9554	COVER, ENGRAVED	1	530-9554-A-4	530-9554
40	179-4056	SCREENPLATE	1	179-4056-A-4	179-4056
50	MTU-2504	SCREW CROSS HEAD 2.5 X 4 UHJ	4	HFC 9040	2.5 X 4 UHJX
60	MSU-2506	SCREW 2.5 X 6 UHJ	2	HFC 9030	2.5 X 6 UHJZ
70	MUU-3016	NUT STEEL 3 MM	1	HFC-723	UNBRAKO 3X16
80	MMA-0030	ISOLATION BUSH	1	HFC 9832	DIN 934 3MG
90	QBA-0018	ISOLATION BUSH	1	DENKA	BFG-2001
100	QBA-0013	NON COMPLETE BASIC UNIT	1	QBA-0013	TO220HW
110	530-9531	ZFT-MODULE, 20K	1	530-9531	530-9531
A 1	250-300J	ZFT-MODULE, 20K	1	250-3041-J-4	250-300J
A 2	250-300J	ZFT-MODULE, 20K	1	250-3041-J-4	250-300J
A 3	ILS-2150	VCA	1	DBX 2150 A	DBX 2150 A
A 4	ILA-2030	OP-AMP	1	NAT. TDA2030	TDA 2030
A 5	ILA-5532	OP-AMP	1	TEX. NE5532P	NE 5532P
A 10	ILA-5532	OP-AMP	1	TEX. NE5532P	NE 5532P
A 11	ILS-2150	VCA	1	DBX 2150 A	DBX 2150 A
A 12	ILA-5532	OP-AMP	1	TEX. NE5532P	NE 5532P
C 1	CFI-0868	CAP ELECTROLYTIC 68UF/6.3V	1	PH 2222 122	2222 122 53689
C 2	CFI-0868	CAP ELECTROLYTIC 68UF/6.3V	1	PH 2222 122	2222 122 53689
C 3	CGA-0822	CAP ELECTROLYTIC 22UF/25V	1	MATSUSHITA ESM	ESM R2 22UF
C 4	CCB-0239	CAP CERAMIC 39PF/100V	1	PH 2222 632	2222 632 58399
C 5	CKK-0468	CAP POLYESTER 6.8NF/400V	1	SIEMENS B32560	B32560 D6682 J
C 6	CKK-0415	CAP POLYESTER 1.5NF/400V	1	SIEMENS B32560	B32560 D6152 J
C 7	CKK-0468	CAP POLYESTER 6.8NF/400V	1	SIEMENS B32560	B32560 D6682 J
C 8	CKK-0415	CAP POLYESTER 1.5NF/400V	1	SIEMENS B32560	B32560 D6152 J
C 9	CFI-0868	CAP ELECTROLYTIC 68UF/6.3V	1	PH 2222 122	2222 122 53689
C 10	CFI-0810	CAP ELECTROLYTIC 10UF/16V	1	PH 2222 122	2222 122 55109
C 11	CAA-0000	CAPACITOR, NOT USED	1	CAA-0000	CAA-0000
C 12	CKH-0622	CAP POLYESTER 220NF/100V	1	SIEMENS B32560	B32560 D1224 J
C 13	CGF-1022	CAP ELECTROLYTIC 2200UF/35V	1	MATSUSHITA TTS	TTS 2200UF/35V
C 14	CFG-0922	CAP ELECTROLYTIC 220UF/40V	1	SIEMENS B41316	B41316 A7227 V
C 15	CKH-0610	CAP POLYESTER 100NF/100V	1	SIEMENS B32560	B32560 D1104 J
C 20	CTF-0710	CAP TANTALUM 1UF/35V	1	ERO ETP	ETP 1A 1UF
C 21	CKH-0610	CAP POLYESTER 100NF/100V	1	SIEMENS B32560	B32560 D1104 J
C 101	CCA-0410	CAP CERAMIC 1NF/63V	1	PH 2222 629	2222 629 02102
C 102	CCB-0256	CAP CERAMIC 56PF/100V	1	PH 2222 632	2222 632 58569
C 103	CKC-0610	CAP POLYESTER 100NF/50V	1	WIMA MKS	MKS 2 100NF
C 104	CKC-0610	CAP POLYESTER 100NF/50V	1	WIMA MKS	MKS 2 100NF

NTP

Date : 20.1.88.

Page / of 5

No. : 530-9533-0-4

REF. NO. NTP-ID. DESCRIPTION QTY MANUFACT/DRW.NO. PART NO.

C 105	CCB-0215	CAP CERAMIC 15PF/100V	1	PH 2222 632	2222 632 58159
C 106	CCB-0282	CAP CERAMIC 82PF/100V	1	PH 2222 632	2222 632 58829
C 107	CFI-0810	CAP ELECTROLYTIC 10UF/16V	1	PH 2222 122	2222 122 55109
C 108	CCB-0168	CAP CERAMIC 6.8PF/100V	1	PH 2222 632	2222 632 57688
C 109	CTF-0710	CAP TANTALUM 1UF/35V	1	ERO ETP	ETP 1A 1UF
C 110	CKH-0610	CAP POLYESTER 100NF/100V	1	SIEMENS B32560	B32560 D1104 J
C 111	CKH-0622	CAP POLYESTER 220NF/100V	1	SIEMENS B32560	B32560 D1224 J
C 112	CKQ-0722	CAP POLYESTER 2.2UF/100V	1	SIEMENS B32562	B32562 D1225 J
C 113	CFI-0710	CAP ELECTROLYTIC 1UF/40V	1	PH 2222 122	2222 122 57108
D 1	QDS-4002	DIODE, SILICIUM	1	F-126	1N 4002
D 2	QDS-4002	DIODE, SILICIUM	1	F-126	1N 4002
D 101	QDS-0013	DIODE, SILICIUM	1	D0-35	BAX 13
D 102	QDS-0013	DIODE, SILICIUM	1	D0-35	BAX 13
D 103	QDS-4002	DIODE, SILICIUM	1	F-126	1N 4002
D 104	QDS-4002	DIODE, SILICIUM	1	F-126	1N 4002
D 105	QDS-4002	DIODE, SILICIUM	1	F-126	1N 4002
D 106	QDS-4002	DIODE, SILICIUM	1	F-126	1N 4002
D 107	QDS-4148	DIODE, SILICIUM	1	QDS-4148	1N 4148
D 108	QDS-4148	DIODE, SILICIUM	1	QDS-4148	1N 4148
D 109	QDS-4148	DIODE, SILICIUM	1	QDS-4148	1N 4148
D 110	QDS-4148	DIODE, SILICIUM	1	QDS-4148	1N 4148
D 111	OES-3005	LED, GREEN	1	DENSITRON	DL 3HGD
IC 1	ICA-4053	TRIPLE 2-INPUT ANALOG MULTIP	1	RCA CD4053BE	CD 4053BE
IC 2	ICA-4053	TRIPLE 2-INPUT ANALOG MULTIP	1	RCA CD4053BE	CD 4053BE
IC 14	OCA-0002	OPTOCOUPLER	1	ISOCOM ILCT 6	ILCT 6
IC 15	OCA-0002	OPTOCOUPLER	1	ISOCOM ILCT 6	ILCT 6
IC 16	OCA-0002	OPTOCOUPLER	1	ISOCOM ILCT 6	ILCT 6
IC 17	OCA-0002	OPTOCOUPLER	1	ISOCOM ILCT 6	ILCT 6
IC 18	OCA-0002	OPTOCOUPLER	1	ISOCOM ILCT 6	ILCT 6
IC 24	ILA-353	OP-AMP	1	NAT. LF353	LF 353
P 1	RFY-5200	POTENTIOMETER 20K	1	DIPLOHMATIC	371-
P 2	RFD-5500	TRIMPOTENTIOMETER 50K	1	BURNS 3386	3386H-1-503
P 3	RFD-5100	TRIMPOTENTIOMETER 10K	1	BURNS 3386	3386H-1-103
P 4	RFY-5200	POTENTIOMETER 20K	1	DIPLOHMATIC	371-
P 5	RFD-5500	TRIMPOTENTIOMETER 50K	1	BURNS 3386	3386H-1-503
P 6	RFY-5200	POTENTIOMETER 20K	1	DIPLOHMATIC	371-
Q 101	QBN-0237	TRANSISTOR, NPN	1	TO-92	BC237 B
Q 102	QBP-0307	TRANSISTOR, PNP	1	TO-92	BC307
Q 103	QBP-0307	TRANSISTOR, PNP	1	TO-92	BC307
Q 104	QBN-0237	TRANSISTOR, NPN	1	TO-92	BC237 B

NTP

Date : 20.1.88.

Page 2 of 5

No. : 530-9533-0-4

REF.NO NTP-ID. DESCRIPTION QTY MANUFACT/DRW.NO. PART NO.

REF.NO	NTP-ID.	DESCRIPTION	QTY	MANUFACT/DRW.NO.	PART NO.
Q 105	QFN-4302	FET	1	QFN-4302	2N 4302
Q 106	QBN-0237	TRANSISTOR, NPN	1	T0-92	BC237 B
Q 107	QBN-0237	TRANSISTOR, NPN	1	T0-92	BC237 B
Q 108	QBN-0237	TRANSISTOR, NPN	1	T0-92	BC237 B
R 1	RCA-5150	RESISTOR CARBON 15K 0.66W 5%	1	SBB 0207	SBB 0207 15K
R 2	RCA-5150	RESISTOR CARBON 15K 0.66W 5%	1	SBB 0207	SBB 0207 15K
R 3	RMA-4332	RESISTOR METAL 3K32 0.4W 1%	1	PHILIPS MR25	2322 151 53322
R 4	RCA-6100	RESISTOR CARBON 100K 0.66W 5	1	SBB 0207	SBB 0207 100K
R 5	RMA-2511	RESISTOR METAL 51R1 0.4W 1%	1	PHILIPS MR25	2322 151 55119
R 6	RMA-3619	RESISTOR METAL 619R 0.4W 1%	1	PHILIPS MR25	2322 151 56191
R 7	RCA-5150	RESISTOR CARBON 15K 0.66W 5%	1	SBB 0207	SBB 0207 15K
R 8	RCA-5270	RESISTOR CARBON 27K 0.66W 5%	1	SBB 0207	SBB 0207 27K
R 9	RCA-5680	RESISTOR CARBON 68K 0.66W 5%	1	SBB 0207	SBB 0207 68K
R 10	RCA-5270	RESISTOR CARBON 27K 0.66W 5%	1	SBB 0207	SBB 0207 27K
R 11	RCA-4220	RESISTOR CARBON 2K2 0.66W 5%	1	SBB 0207	SBB 0207 2K2
R 12	RCA-4220	RESISTOR CARBON 2K2 0.66W 5%	1	SBB 0207	SBB 0207 2K2
R 13	RCA-5680	RESISTOR CARBON 68K 0.66W 5%	1	SBB 0207	SBB 0207 68K
R 14	RMA-5267	RESISTOR METAL 26K7 0.4W 1%	1	PHILIPS MR25	2322 151 52673
R 15	RCA-5100	RESISTOR CARBON 10K 0.66W 5%	1	SBB 0207	SBB 0207 10K
R 16	RCA-4470	RESISTOR CARBON 4K7 0.66W 5%	1	SBB 0207	SBB 0207 4K7
R 17	RCA-6150	RESISTOR CARBON 150K 0.66W 5	1	SBB 0207	SBB 0207 150K
R 18	RAA-9999	RESISTOR, NOT USED	1	RAA-9999	RAA-9999
R 19	RCA-1100	RESISTOR CARBON 1R 0.66W 5%	1	SBB 0207	SBB 0207 1R
R 20	RCA-6100	RESISTOR CARBON 100K 0.66W 5	1	SBB 0207	SBB 0207 100K
R 21	RCA-6100	RESISTOR CARBON 100K 0.66W 5	1	SBB 0207	SBB 0207 100K
R 22	RCA-6100	RESISTOR CARBON 100K 0.66W 5	1	SBB 0207	SBB 0207 100K
R 23	RCA-6220	RESISTOR CARBON 220K 0.66W 5	1	SBB 0207	SBB 0207 220K
R 24	RCA-5330	RESISTOR CARBON 33K 0.66W 5%	1	SBB 0207	SBB 0207 33K
R 25	RCA-5330	RESISTOR CARBON 33K 0.66W 5%	1	SBB 0207	SBB 0207 33K
R 26	RCA-4680	RESISTOR CARBON 6K8 0.66W 5%	1	SBB 0207	SBB 0207 6K8
R 27	RMA-5137	RESISTOR METAL 13K7 0.4W 1%	1	PHILIPS MR25	2322 151 51373
R 65	RCA-5100	RESISTOR CARBON 10K 0.66W 5%	1	SBB 0207	SBB 0207 10K
R 66	RCA-5100	RESISTOR CARBON 10K 0.66W 5%	1	SBB 0207	SBB 0207 10K
R 67	RCA-5100	RESISTOR CARBON 10K 0.66W 5%	1	SBB 0207	SBB 0207 10K
R 68	RCA-5100	RESISTOR CARBON 10K 0.66W 5%	1	SBB 0207	SBB 0207 10K
R 69	RCA-5100	RESISTOR CARBON 10K 0.66W 5%	1	SBB 0207	SBB 0207 10K
R 70	RCA-4330	RESISTOR CARBON 3K3 0.66W 5%	1	SBB 0207	SBB 0207 3K3
R 71	RCA-4330	RESISTOR CARBON 3K3 0.66W 5%	1	SBB 0207	SBB 0207 3K3
R 72	RCA-4330	RESISTOR CARBON 3K3 0.66W 5%	1	SBB 0207	SBB 0207 3K3
R 73	RCA-3560	RESISTOR CARBON 560R 0.66W 5	1	SBB 0207	SBB 0207 560R

NTP

Date: 20.1.88

Page 3 of 5

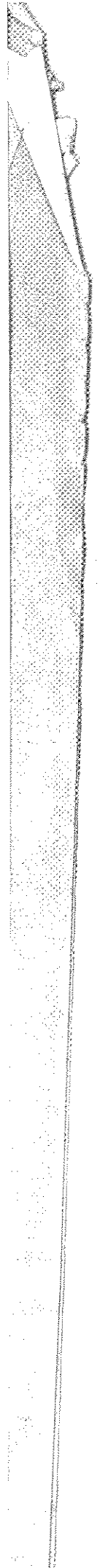
No. :530-9533-0-4

REF. NO. NTP-ID. DESCRIPTION QTY MANUFACT/DRW.NO. PART NO.

R 74	RCA-3560	RESISTOR CARBON 560R 0.66W 5	1	SBB 0207	SBB 0207 560R
R 75	RCA-3560	RESISTOR CARBON 560R 0.66W 5	1	SBB 0207	SBB 0207 560R
R 76	RCA-3560	RESISTOR CARBON 560R 0.66W 5	1	SBB 0207	SBB 0207 560R
R 77	RCA-3560	RESISTOR CARBON 560R 0.66W 5	1	SBB 0207	SBB 0207 560R
R 78	RCA-3560	RESISTOR CARBON 560R 0.66W 5	1	SBB 0207	SBB 0207 560R
R 80	PTC-0450	RESISTOR PTC 0.45R	1	PTC C945	Q63100 P2390
R 81	RWA-0000	STRAP 0.0 OHMS	1	RWA-0000	RWA-0000
R 101	RAA-9999	RESISTOR, NOT USED	1	RAA-9999	RAA-9999
R 102	RAA-9999	RESISTOR, NOT USED	1	RAA-9999	RAA-9999
R 103	RMA-3221	RESISTOR METAL 221R 0.4W 1%	1	PHILIPS MR25	2322 151 52211
R 104	RCA-5470	RESISTOR CARBON 47K 0.66W 5%	1	SBB 0207	SBB 0207 47K
R 105	RMA-4681	RESISTOR METAL 6K81 0.4W 1%	1	PHILIPS MR25	2322 151 56812
R 106	RCA-5150	RESISTOR CARBON 15K 0.66W 5%	1	SBB 0207	SBB 0207 15K
R 107	RCA-5100	RESISTOR CARBON 100K 0.33W 5	1	SEA 0204	SBA 0204 100K
R 108	RMA-2511	RESISTOR METAL 51R1 0.4W 1%	1	PHILIPS MR25	2322 151 55119
R 109	RMA-2511	RESISTOR METAL 51R1 0.4W 1%	1	PHILIPS MR25	2322 151 55119
R 110	RMA-4332	RESISTOR METAL 3K32 0.4W 1%	1	PHILIPS MR25	2322 151 53322
R 111	RCA-6150	RESISTOR CARBON 150K 0.66W 5	1	SBB 0207	SBB 0207 150K
R 112	RMA-4681	RESISTOR METAL 6K81 0.4W 1%	1	PHILIPS MR25	2322 151 56812
R 113	RAA-9999	RESISTOR, NOT USED	1	RAA-9999	RAA-9999
R 114	RCA-5100	RESISTOR CARBON 10K 0.66W 5%	1	SBB 0207	SBB 0207 10K
R 115	RCA-3150	RESISTOR CARBON 150R 0.66W 5	1	SBB 0207	SBB 0207 150R
R 116	RCA-5470	RESISTOR CARBON 47K 0.66W 5%	1	SBB 0207	SBB 0207 47K
R 117	RMA-4392	RESISTOR METAL 3K92 0.4W 1%	1	PHILIPS MR25	2322 151 53922
R 118	RMA-4392	RESISTOR METAL 3K92 0.4W 1%	1	PHILIPS MR25	2322 151 53922
R 119	RMA-4475	RESISTOR METAL 4K75 0.4W 1%	1	PHILIPS MR25	2322 151 54752
R 120	RMA-4475	RESISTOR METAL 4K75 0.4W 1%	1	PHILIPS MR25	2322 151 54752
R 121	PTA-3100	RESISTOR PTC 100R 0.13W 2%	1	PTC GT-55	LP 1/8 100R
R 122	RCA-6100	RESISTOR CARBON 100K 0.66W 5	1	SBB 0207	SBB 0207 100K
R 123	RCA-6100	RESISTOR CARBON 100K 0.66W 5	1	SBB 0207	SBB 0207 100K
R 124	RCA-6220	RESISTOR CARBON 220K 0.66W 5	1	SBB 0207	SBB 0207 220K
R 125	RMA-4133	RESISTOR METAL 1K33 0.4W 1%	1	PHILIPS MR25	2322 151 51332
R 126	RMA-5750	RESISTOR METAL 75K 0.4W 1%	1	PHILIPS MR25	2322 151 57503
R 127	RMA-4825	RESISTOR METAL 8K25 0.4W 1%	1	PHILIPS MR25	2322 151 58252
R 128	RMA-4825	RESISTOR METAL 8K25 0.4W 1%	1	PHILIPS MR25	2322 151 58252
R 129	RMA-5750	RESISTOR METAL 75K 0.4W 1%	1	PHILIPS MR25	2322 151 57503
R 130	RMA-5750	RESISTOR METAL 75K 0.4W 1%	1	PHILIPS MR25	2322 151 57503
R 131	RCA-4220	RESISTOR CARBON 2K2 0.66W 5%	1	SBB 0207	SBB 0207 2K2
R 132	RCA-4270	RESISTOR CARBON 2K7 0.66W 5%	1	SBB 0207	SBB 0207 2K7
R 133	RCA-3270	RESISTOR CARBON 270R 0.66W 5	1	SBB 0207	SBB 0207 270R

R 134	RCA-4220	RESISTOR CARBON 2K2 0.66W 5%	1	SBB 0207	SBB 0207 2K2
R 135	RCA-4220	RESISTOR CARBON 2K2 0.66W 5%	1	SBB 0207	SBB 0207 2K2
R 136	RCA-6470	RESISTOR CARBON 470K 0.66W 5	1	SBB 0207	SBB 0207 470K
R 137	RCA-6220	RESISTOR CARBON 220K 0.66W 5	1	SBB 0207	SBB 0207 220K
R 138	RCA-7180	RESISTOR CARBON 1M8 0.66W 5%	1	SBB 0207	SBB 0207 1M8
R 139	RXA-8220	RESISTOR HIGHVOLT 22M 0.25W	1	PHILIPS VR25	2322 241 13226
R 140	RCA-6100	RESISTOR CARBON 100K 0.66W 5	1	SBB 0207	SBB 0207 100K
R 141	RCA-7470	RESISTOR CARBON 4M7 0.66W 5%	1	SBB 0207	SBB 0207 4M7
R 142	RCA-6100	RESISTOR CARBON 100K 0.66W 5	1	SBB 0207	SBB 0207 100K
R 143	RCA-5100	RESISTOR CARBON 10K 0.66W 5%	1	SBB 0207	SBB 0207 10K
R 144	RCA-5100	RESISTOR CARBON 10K 0.66W 5%	1	SBB 0207	SBB 0207 10K
R 145	RCA-5100	RESISTOR CARBON 10K 0.66W 5%	1	SBB 0207	SBB 0207 10K
R 146	RCA-4220	RESISTOR CARBON 2K2 0.66W 5%	1	SBB 0207	SBB 0207 2K2
R 147	RCA-4220	RESISTOR CARBON 2K2 0.66W 5%	1	SBB 0207	SBB 0207 2K2
R 148	RMA-4165	RESISTOR METAL 1K65 0.4W 1%	1	PHILIPS MR25	2322 151 51652
R 149	RCA-4330	RESISTOR CARBON 3K3 0.66W 5%	1	SBB 0207	SBB 0207 3K3
R 150	RCB-6100	RESISTOR CARBON 100K 0.33W 5	1	SBA 0204	SBA 0204 100K
R 151	RCB-5100	RESISTOR CARBON 10K 0.33W 5%	1	SBA 0204	SBA 0204 10K
R 152	RMA-4121	RESISTOR METAL 1K21 0.4W 1%	1	PHILIPS MR25	2322 151 51212
R 153	RMA-4365	RESISTOR METAL 3K65 0.4W 1%	1	PHILIPS MR25	2322 151 53652
ST 1	RAA-9999	RESISTOR, NOT USED	1	RAA-9999	RAA-9999
TR 1	LTB-0003	TRANSFORMER PLUGIN 1:3	1	BEYER 310	310.203.002
TR 2	LTL-0005	OUTPUTTRANSFORMER	1	LUNDAHL 5007	LL 5007

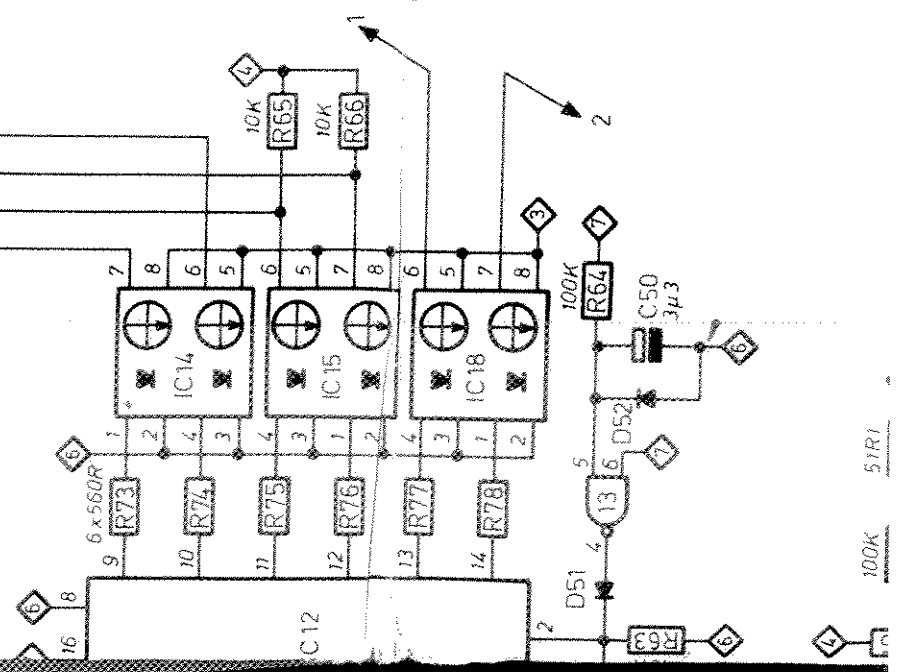
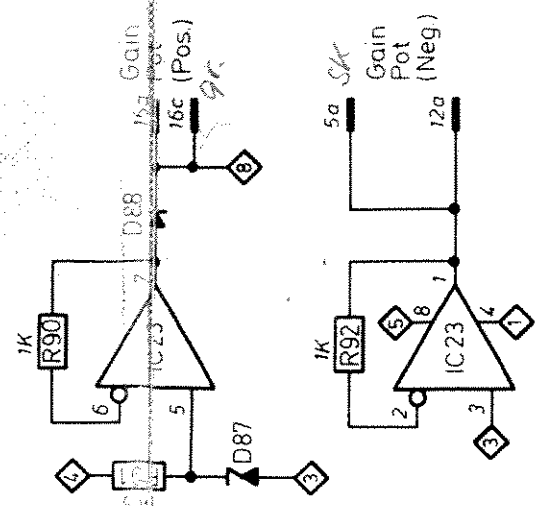
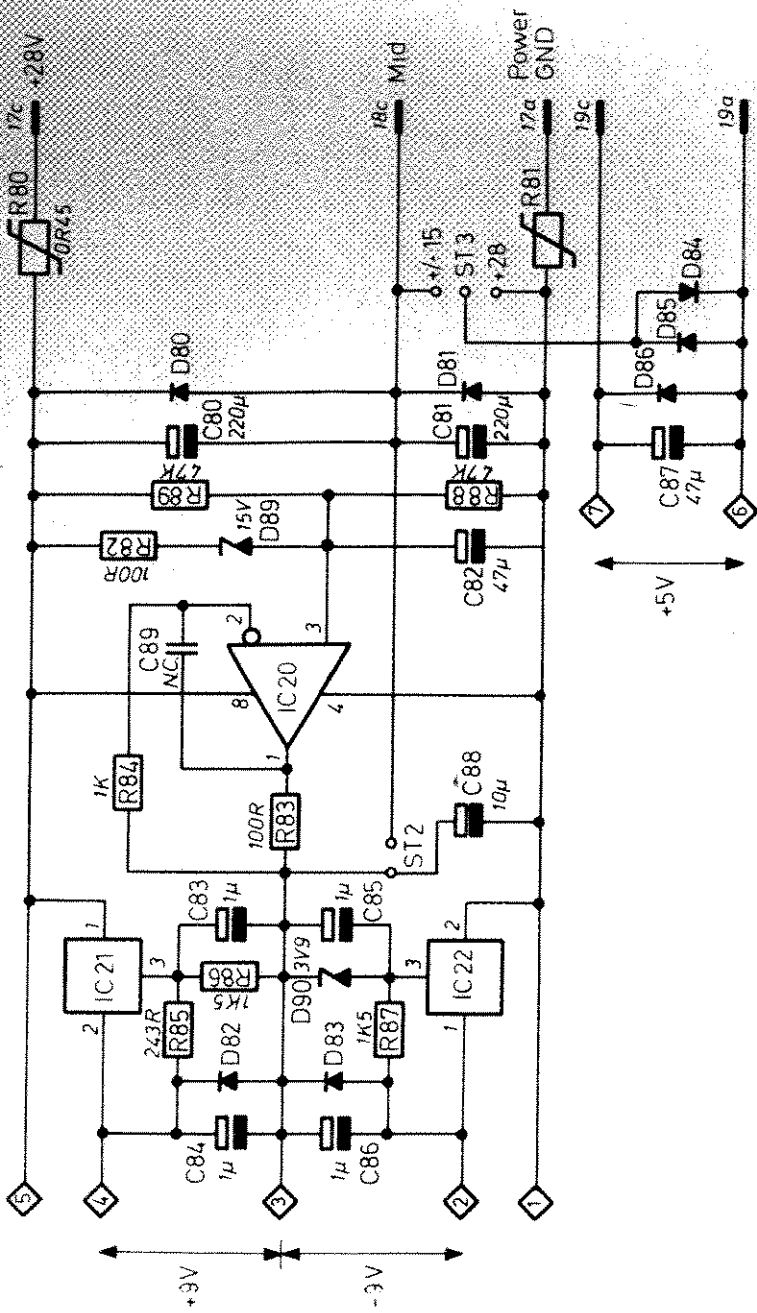
NTP
Date: 20.1.88.
Page 5 of 5
No. :530-9533-04

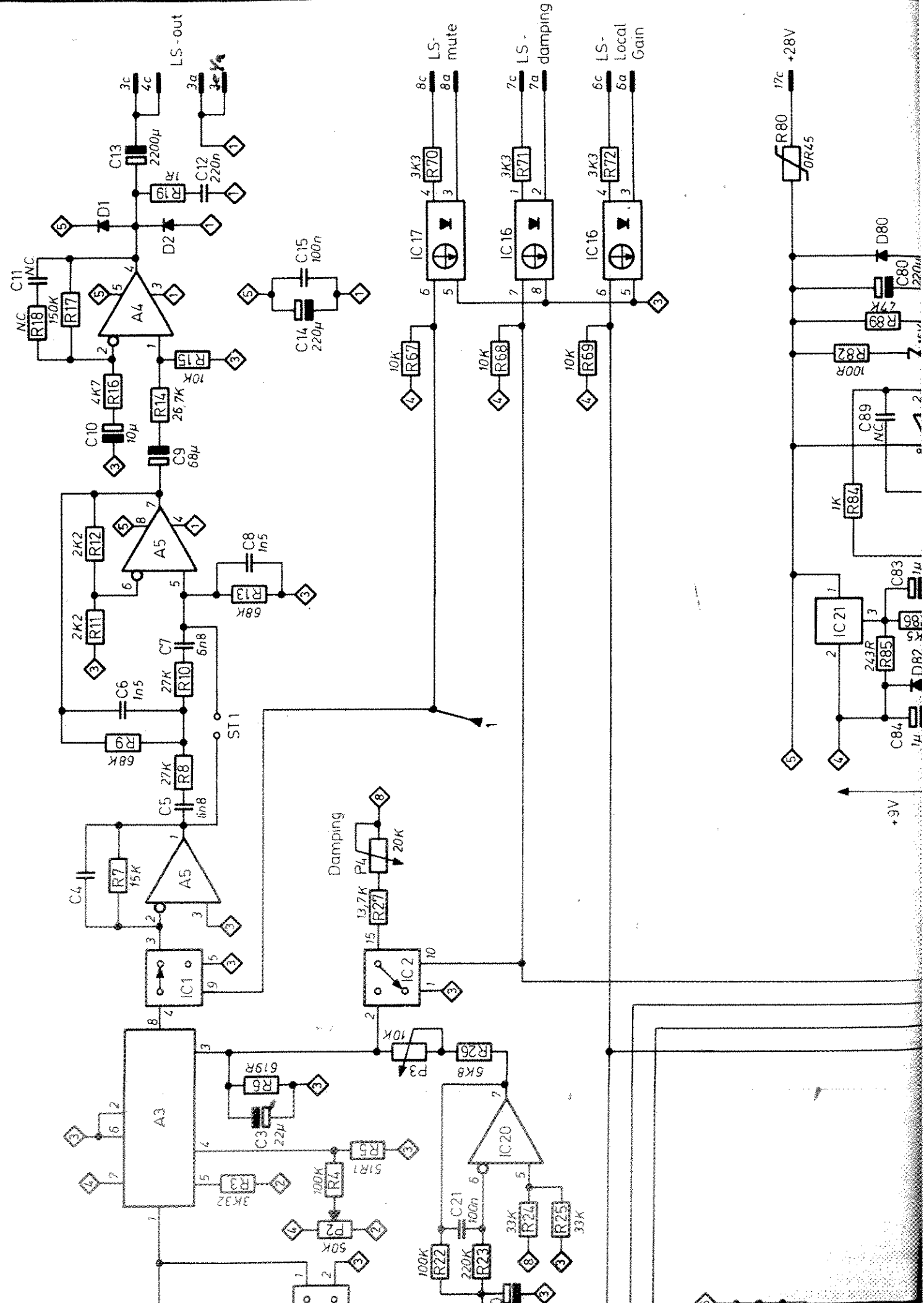


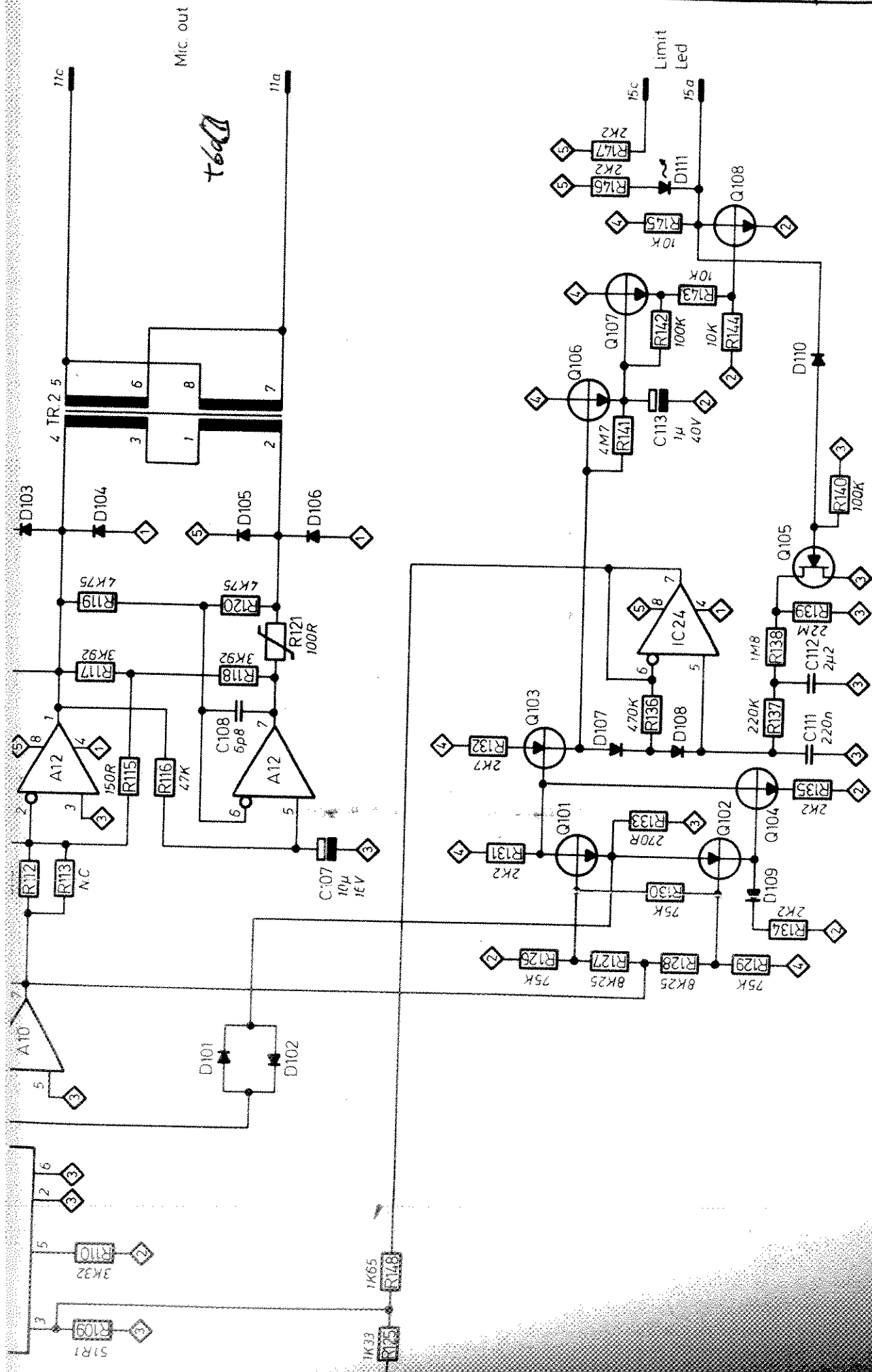
c a

A Input 0°	1	A input 180°	
B Input 0°	2	B input 180°	
LS-Amplifier Out	3	LS-Amplifier GND	
LS-Amplifier Out	4	LS-Amplifier GND	
LS-Gain Pot.-meter (arm)	5	LS-Gain Pot.-meter (neg.)	
LS-Local Gain (pos.)	6	LS-Local Gain (neg.)	
LS-Damping (pos.)	7	LS-Damping (Neg.)	
LS-Muting (pos.)	8	LS-Muting (neg.)	
Mic. Input 0°	9	Mic. Input 180°	
Phantom PS (pos.)	10	Phantom PS (neg.)	
Mic. Output 0°	11	Mic. Output 180°	
Mic.Gain Pot.-meter (arm)	12	Mic.Gain Pot.-meter (neg.)	
Mic. Local Gain (pot)	13	Mic. Local Gain (neg.)	
N.C.	14	N.C.	
Limiter LED (pos.)	15	Limiter LED (neg.)	
Gain Pot.-meter (pos.)	16	Gain Pot.-meter (pos.)	
+28V Power Supply	17	Power GND	
Mid	18	N.C.	
+5V (digital)	19	Digital GND	} RS422 Control
D0	20	D1	
D2	21	D3	
D4	22	D5	
D6	23	<u>DSTR</u>	
A0	24	A1	
A2	25	A3	
A4	26	A5	
A6	27	N.C.	
N.C.	28	N.C.	
N.C.	29	N.C.	
N.C.	30	N.C.	
N.C.	31	N.C.	
N.C.	32	<u>CLR</u>	

The card is terminated via a 64-pole Euro-connector DIN41612 male.





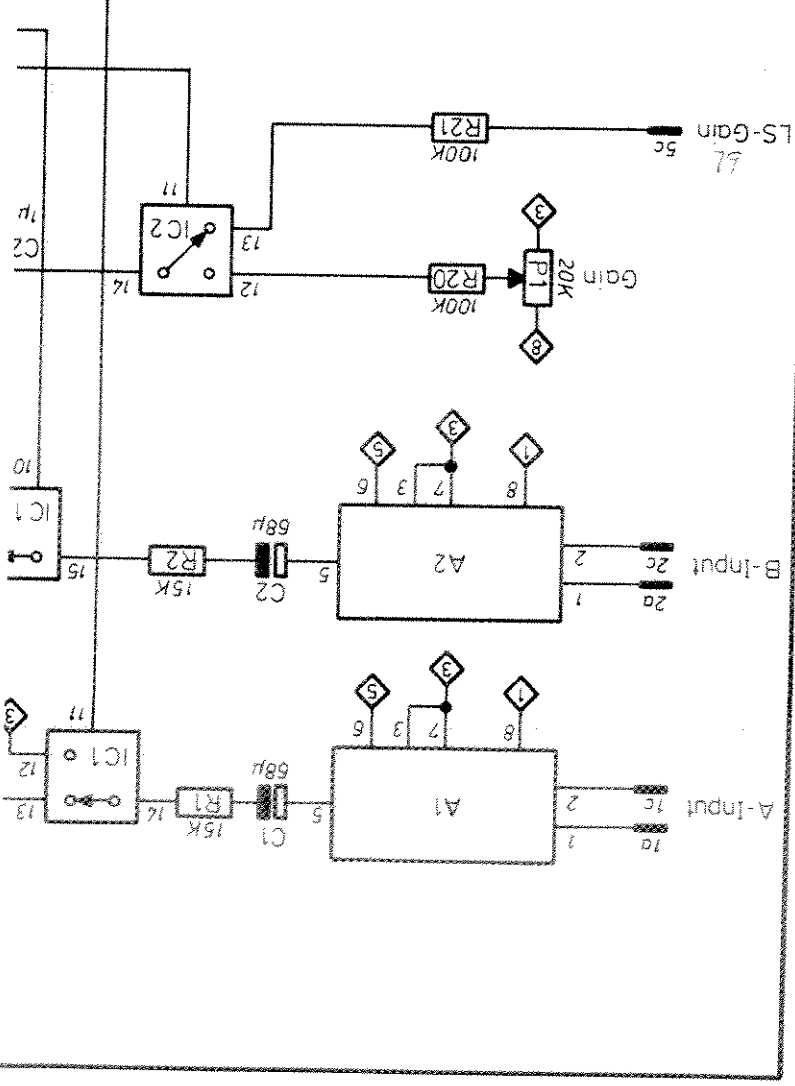
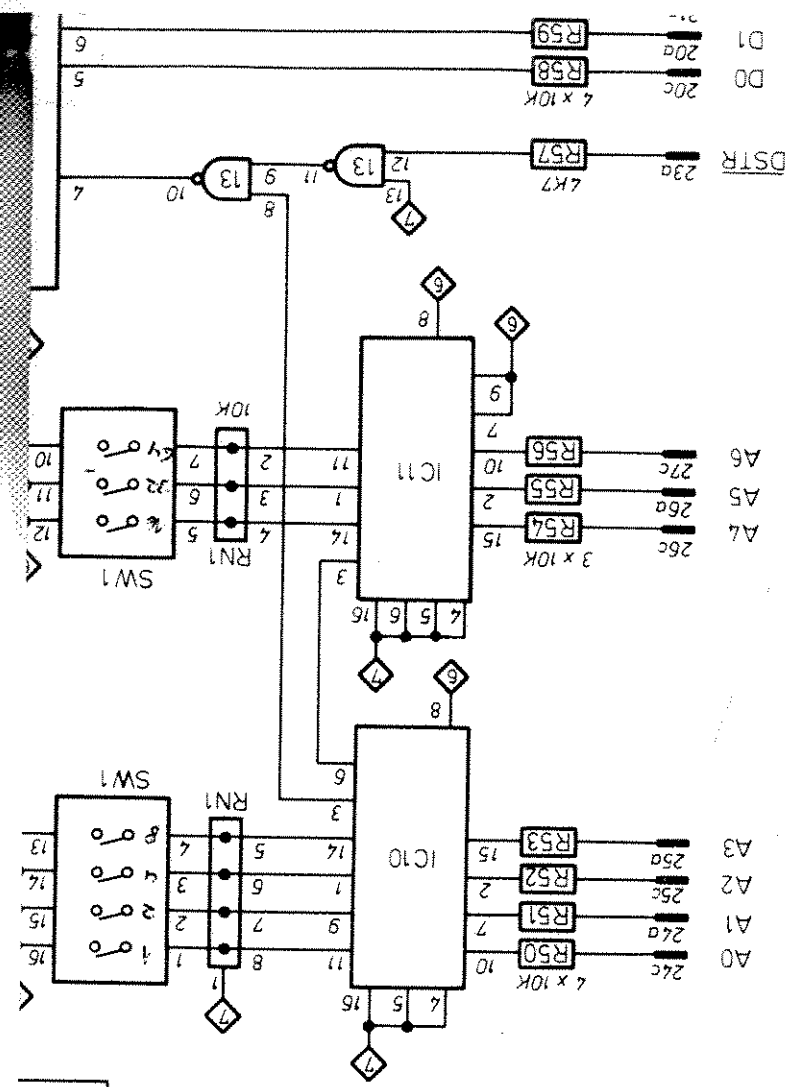


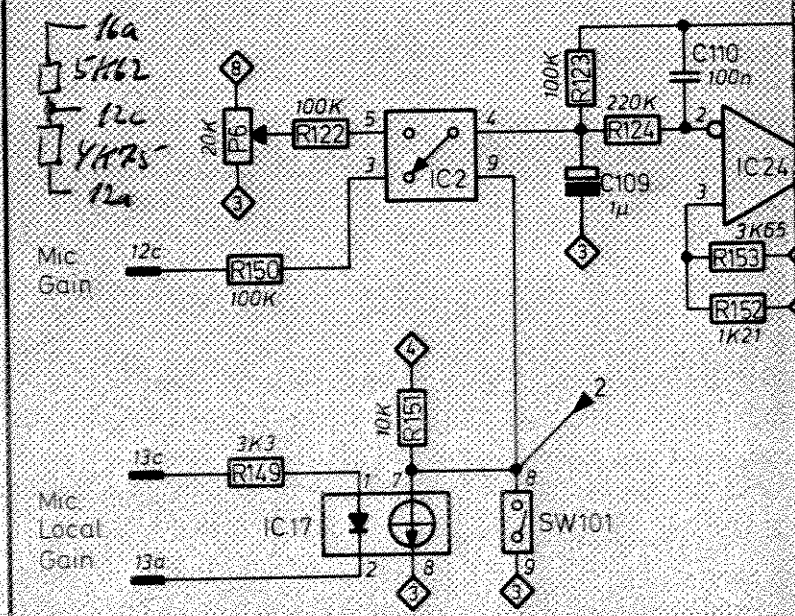
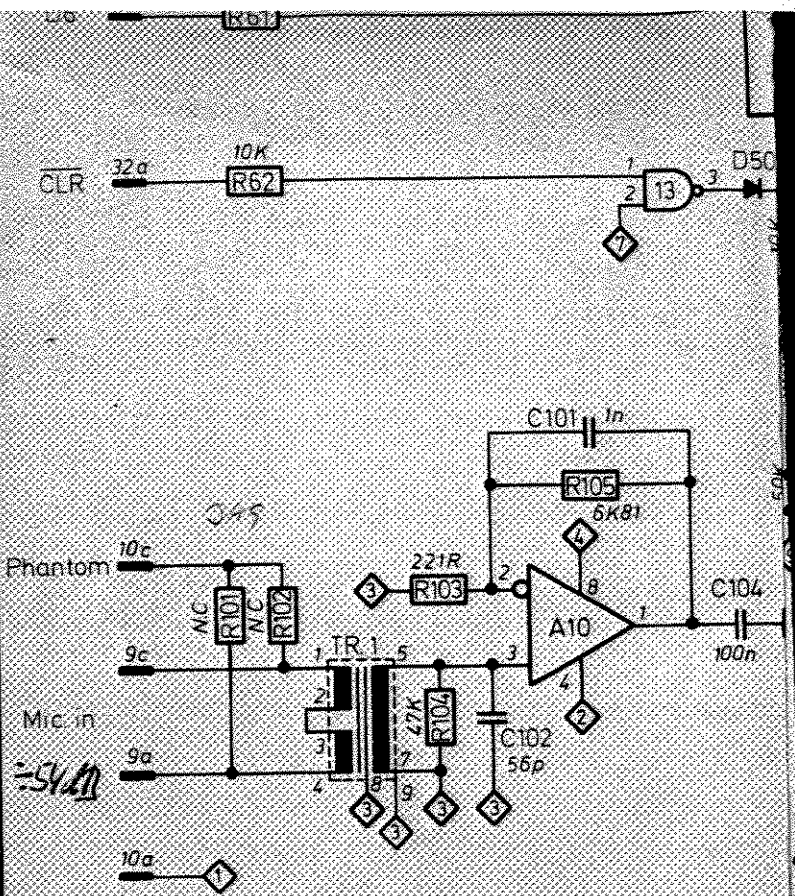
Mic. out

6601

Loudspeaker/Mic. Amplifier 530-950 D
Diagram

Målestok :	
Tolerance : ±	mm
Tegnet :	20.3.87 CN/JI
Godkendt :	
Revideret :	1/20.1.88





	IC13	IC1	IC2
①	14		
②	7		
③			
④		15	16
⑤		6, 8	6, 8
⑥		7	7
⑦			